

# X-ray Inspection System AD-4991-6030

# AND

A&D Inspection

Ensures the integrity of your brand and boosts work efficiency

PROTEX  
SERIES

- Larger aperture allows larger products to be inspected.
- Detects non-conforming products with high sensitivity thanks to A&D's original algorithm.
- Offers a wide variety of Inspection Modes other than just Contaminant Inspection.
- Intuitive user interface allows all inspections to be conducted quickly and easily.



## Inspection Area Dimensions

Unit: mm

Height	10	20	30	40	50	60	70	80	90	100	110	120	130	140	150
Width	571	563	555	546	538	530	522	513	505	497	488	480	472	464	455
Height	160	170	180	190	200	210	220	230	240	250	260	270	280	290	300
Width	447	439	430	422	414	406	397	389	381	372	364	356	348	339	331

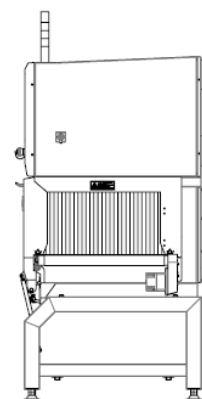
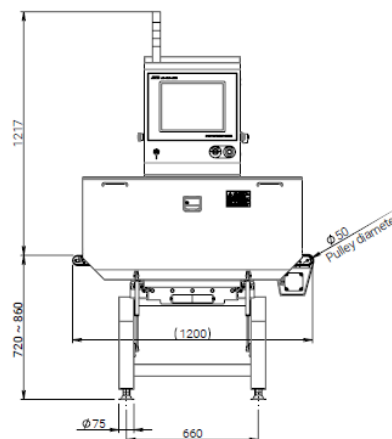
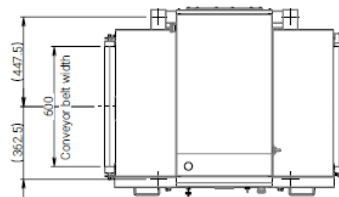
## Specification

<b>Model</b>	<b>AD-4991-6030</b>
Conveyor width	600 mm
System length	1,200 mm
Conveyor height	720-860 mm
Max. X-ray power output	300 W (100 kV_3 mA)
Conveyor belt speed	10-40 m/min
Conveyor load capacity	Max. 25kg
Beam diagram (mm)	
Max. power consumption	Approx. 1,250 VA *
Net weight	Approx. 370 kg

\* The maximum power consumption when a Rejector is connected.

## Dimensions

Unit: mm



# AND

A&D Company, Ltd.

## Discover Precision

A&D Company, Ltd. (JAPAN)  
URL: aandd.jp

A&D Engineering, Inc. (USA)  
URL: andonline.com

A&D Australasia Pty Ltd. (Australia)  
URL: andastralasia.com.au

A&D Instruments Ltd. (United Kingdom)  
URL: andprecision.com

A&D Korea Ltd. (South Korea)  
URL: andk.co.kr

A&D Rus Co., Ltd. (Russia)  
URL: and-rus.ru

A&D Instruments India (P) Ltd. (India)  
URL: aanddindia.in

A&D Sciencetech Taiwan Ltd. (Taiwan)  
URL: aandd.com.tw

A&D Instruments Thailand Ltd. (Thailand)  
URL: thai.andprecision.com

A&D Technology Trading (Shanghai) Co., Ltd. (China)  
URL: aanddtech.cn