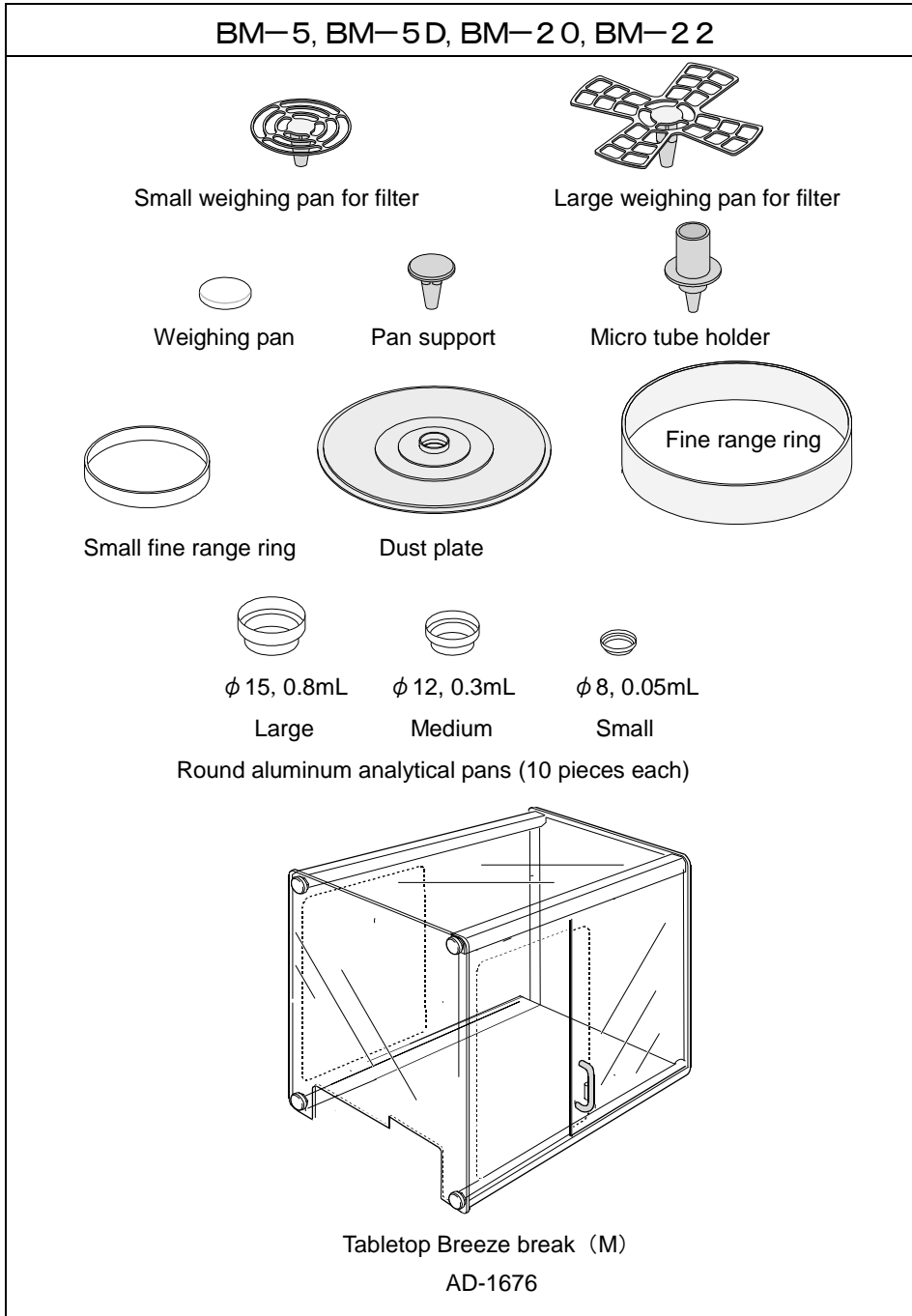


Supplementary Instruction Manual for changing BM series accessories

This manual describes about the change of accessories of BM-5/5D/20/22.

The following items are accessories for BM-5/5D/20/22). (There is no change in the accessories common to the BM series.)

Accessories of BM-5/5D/20/22



The following is how to handle the accessory tabletop breeze break.

Features of the tabletop breeze break

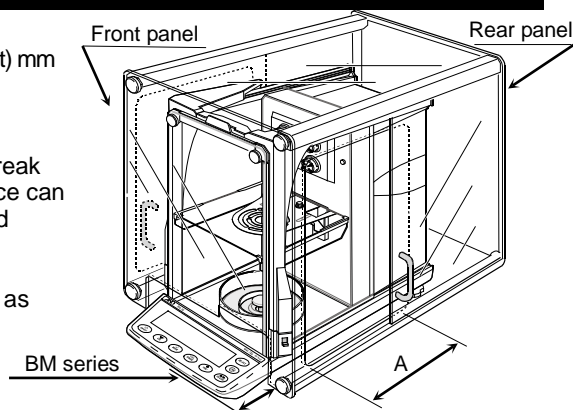
- The tabletop breeze break protects the balance from breezes due to air conditioning and body motion, thereby reducing balance weighing error.
- Micro balance are also affected by the slightest wind, so be sure to install them on your balance before use.
- This size of tabletop breeze break is most suitable for use with the BM series.
- The transparent panel assembly consists of antistatic plastic material, which protects the balance from static electricity.
- The hole on the back panel can be used to pass the RS-232C and AC adapter cables through.

Specifications of the tabletop breeze break

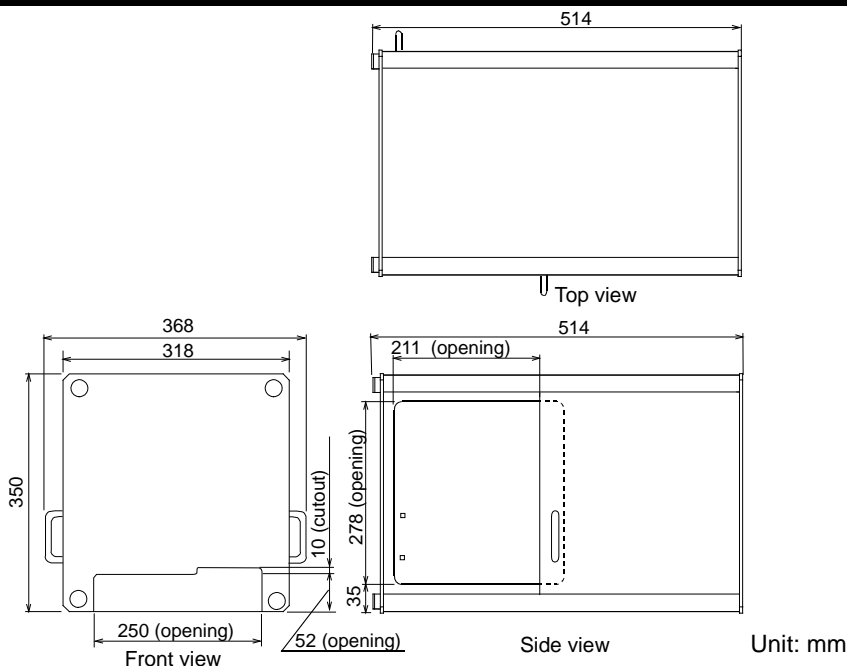
- Weight : Approx. 4 kg
- Size : 368 (Width) × 514 (Depth) × 350 (Height) mm
- Material : Transparent panel: Antistatic plastic
Rear panel / Frame: Aluminum
- Applicable models (BM series balance)

* We recommend installing the tabletop breeze break (M) in a position where the display of the balance can be seen easily and the balance can be operated properly.

* To minimize the effect of ambient drafts on measurement, open the side door A only as far as necessary.



External dimensions of the tabletop breeze break



Caution

- Do not use organic solvents to clean the tabletop breeze break as that may damage the transparency and antistatic properties of the panels.
- Use a soft lint free cloth dampened with warm water and a mild detergent when cleaning the tabletop breeze break.

A&D Company, Ltd.

3-23-14 Higashi-Ikebukuro, Toshima-ku, Tokyo 170-0013 JAPAN

-2- Telephone: [81] (3) 5391-6132 Fax: [81] (3) 5391-6148