

Setup Manual

---

---

**Table of Contents**

---

1. Overview	1
2. System requirements	1
3. Setup instructions	2
4. Connection setup	3
5. Start up	5
6. Uninstallation	5
7. License agreement	6

---

---

**1. Overview**

---

”Windows Communication Tools for data transmission with the GX-AE/GX-A/GF-A Filter” (described as an WinCT-GXA-Filter in following) enables change of settings of digital filter of GX-AE/GX-A/GF-A series electronic balance.

Setup procedure is described below.

---

---

**2. System requirements**

---

**2-1. PC**

Supported OS: Windows 8.1, 10

RS-232C interface or USB port with serial/USB converter.

\* If the PC does not have an RS-232C (COM) port, a USB port can be used with the separately-sold serial/USB converter with cable to add a COM port.

\* USB interface of balance cannot be used with GX-AE/GX-A/GF-A firmware version 1.320. Please connect RS-232C interface of balance with PC. (With GX-AE/GX-A/GF-A firmware version 1.400 or greater, USB interface of balance can be used.)

**2-2. Electronic balance**

A&D GX-AE/GX-A/GF-A Series (Firmware version 1.320 or greater.)

\* In order to check software version of balance, please refer to instruction manual of GX-AE/GX-

A/GF-A series.

---

### 3. Setup instructions

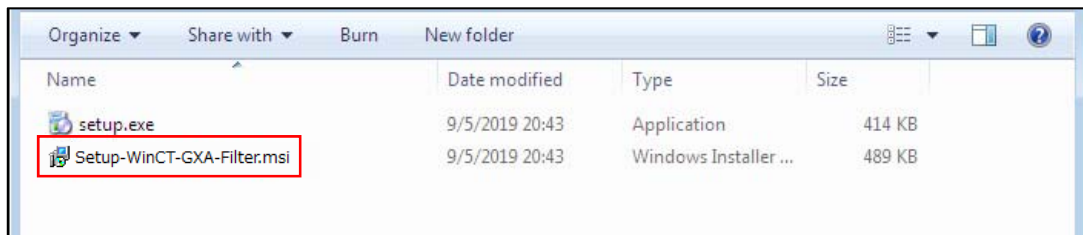
---

#### 3-1. Preparation

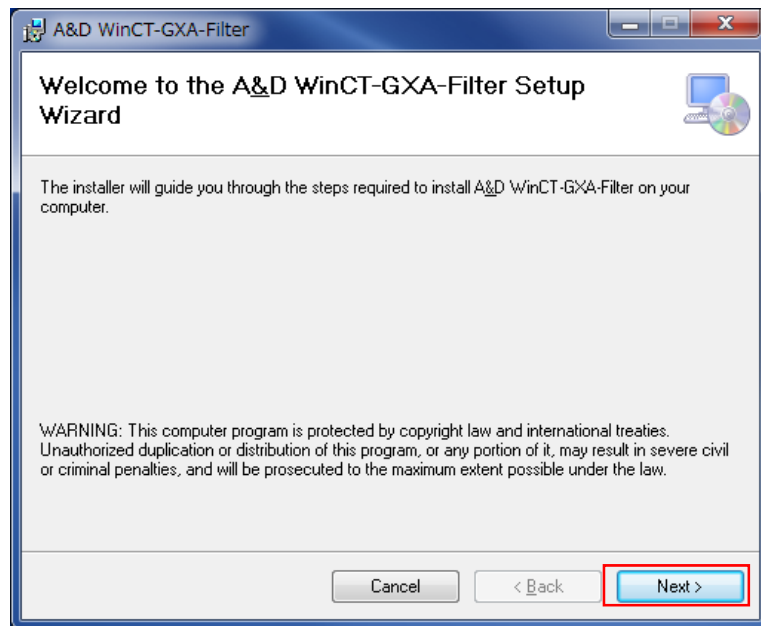
- 1) Before setting up WinCT-GXA-Filter, back up critical data on the PC.
- 2) Close all applications.

#### 3-2. WinCT-GXA-Filter Installation

- 1) Launch Setup-WinCT-GXA-Filter.msi.



- 2) Follow the on-screen instructions to complete installation.

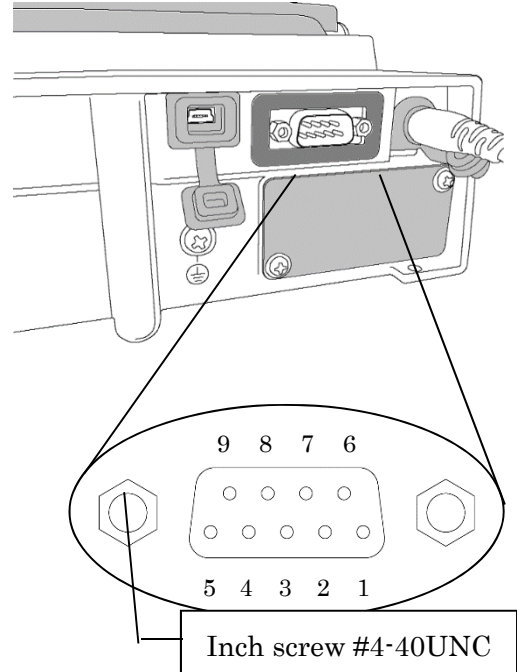


## 4. Connection setup

### 4-1) Connecting the balance via RS-232C\*.

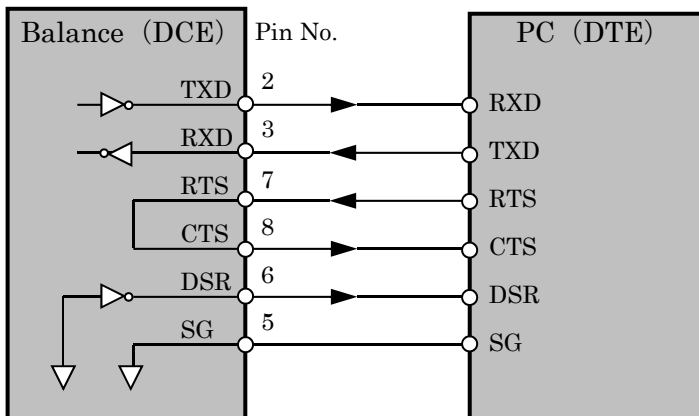
GX-AE/GX-A/GF-A Series D-Sub9, pin arrangement

Pin No.	Signal name	Direction	Meaning, remarks
1	-	-	N.C. (same potential with SG)
2	TXD	Output	Transmitted data
3	RXD	Input	Received data
4	-	-	N.C.
5	SG	-	Signal ground
6	DSR	Output	Data Set Ready
7	RTS	Input	Request to Sent
8	CTS	Output	Clear to Send
9	-	Output	N.C. (12V Output)



DTE signal names(except TXD and RXD)

Connection diagram (when connecting to a PC)



#### <1> RS-232C interface

Confirm the GX-A/GF-A series D-Sub9 pin arrangement and the pin arrangement of the PC and connect the RS-232C cable.

#### <2> USB interface with converter

- Required accessory...AX-USB-9P Serial/USB Converter

When using for the first time, you will need to install a special driver on the PC.

- Installing the driver

(1) Connect the Serial/USB converter to the USB port on the PC.

(2) Install the driver to the PC.

For the installation procedure, refer to the Serial/USB converter instruction manual.

(3) Using the RS-232C cable provided, connect the Serial/USB converter to the balance.

The device name is "USB Serial Port".

#### 4-2) Connecting the balance via USB (Firmware version 1.400 or greater)

- Required accessory...USB cable supplied with the balance.

When using for the first time, you will need to install a special driver on the PC.

- Preparation...Changing the balance to virtual com mode

- (1) Set the balance to weighing mode  $^{\circ}$  0.00 g
- (2) Press and hold the **SAMPLE** key to display **bRSFunc**.
- (3) Press the **SAMPLE** key several times and press the **PRINT** key with **USB**.
- (4) **UFunc** is displayed. Press **RE-ZERO** key several times to display **UFunc VCOM**.
- (5) Press the **PRINT** key to return to the internal settings.
- (6) Press the **CAL** key from **RPFunc** to return to weighing display.

- Installing the driver

Windows 10:

When you connect the GX-AE/GX-A/GF-A to the PC, the driver is installed automatically.  
The device name is "USB Serial Device".

Windows 8.1, Windows 7:

- (1) Extract the compressed folder "GXA\_GFA\_DRIVER" downloaded from our website (<http://www.aandd.jp/>).
- (2) Please refer to "GX-A/GF-A series USB interface How to install the Virtual COM mode driver" in the folder for installation.  
The device name is "AND USB Port for Balance".

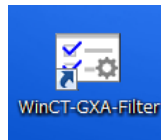
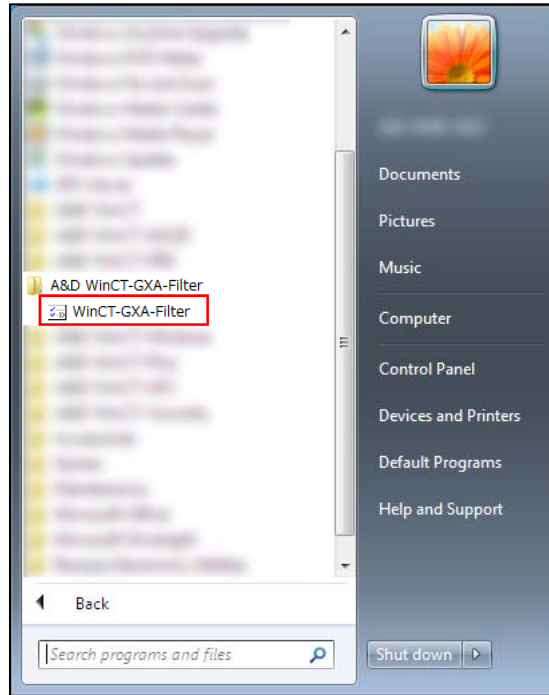
---

---

## 5. Start up

---

Navigate through Start → All Program → A&D WinCT-GXA-Filter and click WinCT-GXA-Filter. You can also start the application by double clicking the WinCT-GXA-Filter icon on the desktop.



Refer to the WinCT-GXA-Filter Instruction Manual located in the WinCT-GXA-Filter install folder for more information.

- \* When connecting a balance other than the GX-AE/GX-A/GF-A series or a non-A&D balance, this software may not operate correctly.
- \* Please contact the PC manufacturer for details on your PC.

---

---

## 6. Uninstallation

---

To uninstall go to Programs and Features in Control Panel, select A&D WinCT-GXA-Filter and click Uninstall.

---

---

## 7. License agreement

---

- WinCT-GXA-Filter cannot be reproduced without permission.
- WinCT-GXA-Filter specifications are subject to change for improvement without notice.
- The WinCT-GXA-Filter copyright is owned by A&D Company, Limited.
- WinCT-GXA-Filter transfers data from A&D electronic balances to a PC.
- WinCT-GXA-Filter can be installed to a PC hard drive or other memory device.

A&D assumes no responsibility for direct, indirect, special or inevitable damage caused by a flaw in WinCT-GXA-Filter or the instruction manual even if it is reported that damage may occur. A&D is not responsible for assertion of rights made by third parties.

In addition, A&D assumes no responsibility for the loss of software and data that may occur.

Microsoft and Windows are registered trademarks or trademarks of Microsoft Corporation in the United States and other countries.

03/2020

A&D Company, Limited