

# AD-1672 Tabletop Breeze Break Instruction Manual

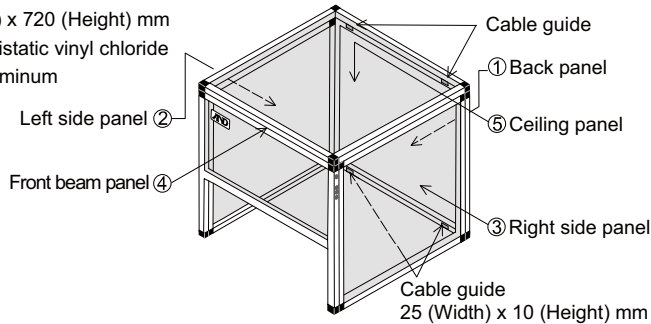
## 1. Features

- The tabletop breeze break protects the balance from breezes, due to air conditioning and body motion, thereby reducing balance weighing error.
- The transparent panel assembly consists of antistatic plastic material which protects the balance from static electricity.
- Two guides, in the back panel, can be used to pass the RS-232C and AC adapter cables through.
- It is easy to move panels assembled to the tabletop breeze break.

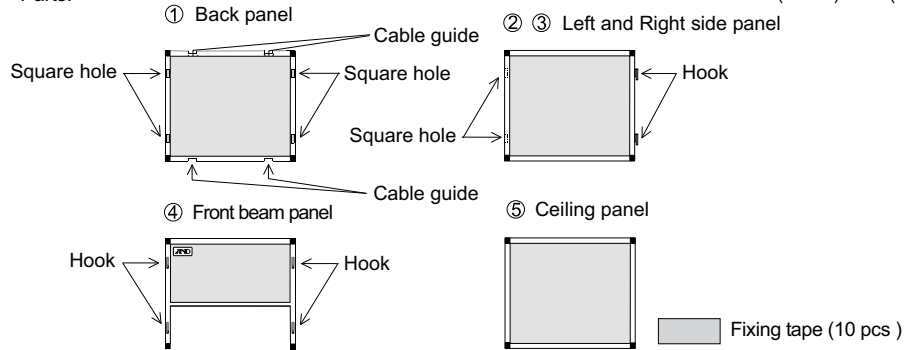
## 2. Specifications

- Mass: 10kg
- Size: 680 (Width) x 600 (Depth) x 720 (Height) mm
- Materials: Transparent Panel: Antistatic vinyl chloride  
Frame: Aluminum

①	Back panel
②	Left side panel
③	Right side panel
④	Front beam panel
⑤	Ceiling panel

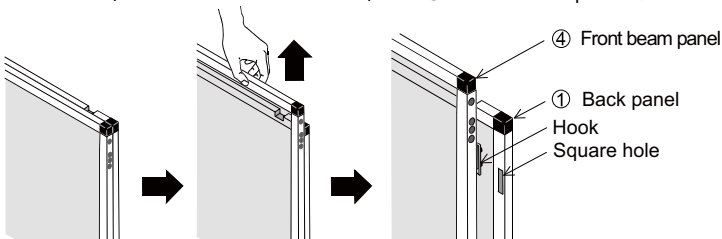


• Parts:



## 3. Unpacking

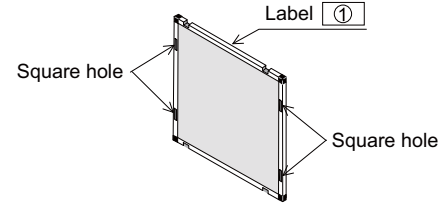
Note: The front beam panel (4) and the back panel (1) are packed using two joints of hooks and the square holes. Slide up and remove the front beam panel (4) from the back panel (1).



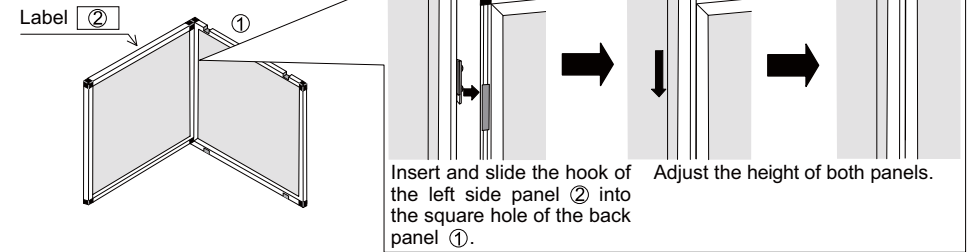
**A&D Company, Limited**  
3-23-14 Higashi-Ikebukuro, Toshima-ku, Tokyo 170-0013 JAPAN  
Telephone: [81] (3) 5391-6132 Fax: [81] (3) 5391-6148

## 4. Assembling the Tabletop Breeze Break

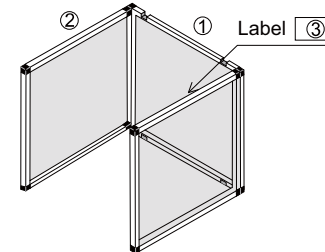
Step 1. Place the back panel (1), with the condition of the label (1) on the top and the square holes on the front face, on the weighing table.



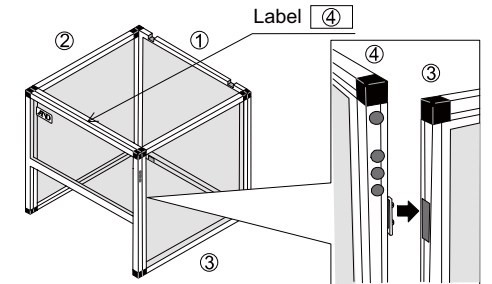
Step 2. Assemble the left side panel (2) and the back panel (1) using two joints of hooks and the square holes.



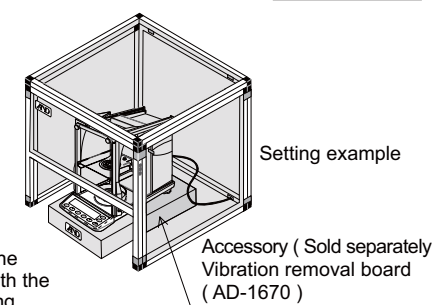
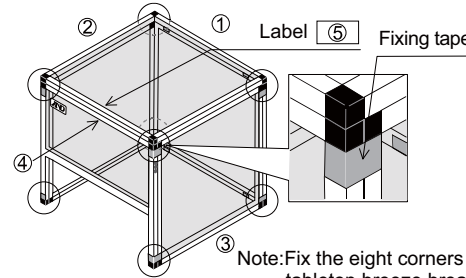
Step 3. Assemble the right side panel (3) in the same way as step 2.



Step 4. Assemble the front beam panel (4) in the same way as steps 2 and 3.



Step 5. Place the top panel (5) on.



Caution

- Do not use organic solvents to clean the tabletop breeze break as that may damage the transparency and antistatic properties of the panels.
- Use a soft lint free cloth dampened with warm water and a mild detergent, when cleaning the tabletop breeze break.
- Do not modify the tabletop breeze break.
- Consider to keep connections of parts when moving the tabletop breeze break.