

Addendum for Accessory Addition

Thank you for purchasing A&D's product.

Please note that additional accessories are provided as standard for certain series/models.

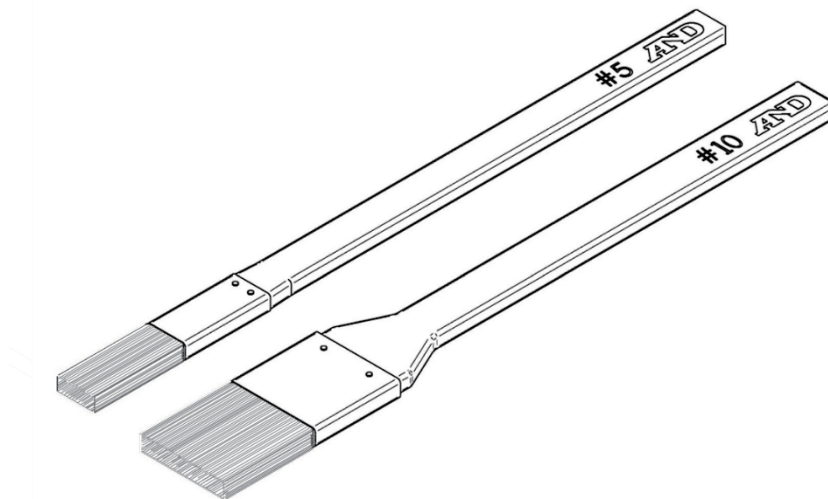
BA/BA-T series, BM series, MS-70/MX-50 accessories

Cleaning brush (Large/Small)

Material : (Handle) Wood
(Bristle) Goat hair

Length : Approx. 220 mm

Brush width : (Large) 27 mm
(Small) 14 mm



- Please use these brushes to clean the weighing pan, area around the equipment, etc.
- The thin and soft bristles are suitable for cleaning powders.
- The animal fiber bristles are less likely to cause static electricity.
 - * There is no static removal capability.
- A separately-sold accessory for cleaning balances, "AX-CLEANING-SET", is also available.

AND
A&D Company, Ltd.