

GX-A/GF-A Series Options

INSTRUCTION MANUAL

GXA-13 Density Determination Kit

© 2017 A&D Company, Limited. All rights reserved.

No part of this publication may be reproduced, transmitted, transcribed, or translated into any language in any form by any means without the written permission of A&D Company, Limited.

The contents of this manual and the specifications of the instrument covered by this manual are subject to change for improvement without any notice and obligation on the part of the manufacturer.

Contents

1.	Introduction.....	2
1.1.	Precautions.....	2
2.	Packing List.....	3
3.	Density Measurement Principle.....	4
3.1.	Density.....	4
3.2.	Specific Gravity.....	4
3.3.	Density Measurement Principle.....	4
3.4.	Density of a Solid.....	4
3.5.	Density of a Liquid.....	4
4.	Error Factors.....	5
4.1.	Buoyancy of Air.....	5
4.2.	Temperature of a Liquid.....	5
4.3.	Volume of Float.....	5
4.4.	Influence of Wire.....	5
4.5.	Surface Tension.....	6
4.6.	Bubbles.....	6
5.	Measuring the Density of a Solid.....	8
5.1.	Assembling the Kit.....	8
5.1.1.	Assembling the Kit Using Glass Breeze Break (GXA-10).....	9
5.2.	Measuring the Density of a Solid.....	10
5.2.1.	Density of Water.....	10
6.	Measuring the Density of a Liquid.....	11
6.1.	Assembling the Kit.....	11
6.2.	Measuring the Density of a Liquid.....	11
7.	Density Measurement Using the GX-A/GF-A Balance.....	12
7.1.1.	Preparation Before Measurement (Settings of the Function Table).....	12
7.1.2.	Measuring Solid Density (Specific Gravity), Function Table $d5 \square$	14
7.1.3.	Specifying Liquid Density.....	15
7.1.4.	Measuring Liquid Density (Specific Gravity), Function Table $d5 \uparrow$	16
7.1.5.	Specifying Volume of Float.....	17
8.	Frequently Asked Questions and Answers.....	18

1. Introduction

Thank you for your A&D purchase! This is the instruction manual for the density determination kit.

The density determination kit can be easily used to measure the density of solid or liquid when it is combined with the following electronic balances.

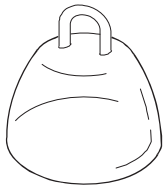
GX-203A, GX-303A, GX-403A, GX-603A, GX-1003A, GX-1603A,
GF-203A, GF-303A, GF-403A, GF-603A, GF-1003A, GF-1603A

Before using the density determination kit, please read this instruction manual thoroughly.

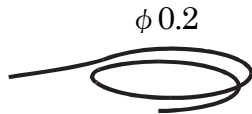
1.1. Precautions

- This density determination kit allows the density or specific gravity of a solid or liquid to be measured. However, the results of measurements may be affected by various factors that could cause errors, therefore we cannot guarantee them to be 100 % accurate.
- Do not use the density determination kit for measuring the density of chemically active substances.
- After using the density determination kit, clean all surfaces to remove rust and oxides.
- The balance is precision instrument, so avoid shocks or excessive loads.
- To improve measuring accuracy, allow the temperature of liquid (water) and sample (solid) to equalize to the ambient room temperature and perform measurement in a stable environment.
- The breeze break provided with the balance cannot be used with the density determination kit. To perform an accurate density measurement, use the glass breeze break available as an option (GXA-10).

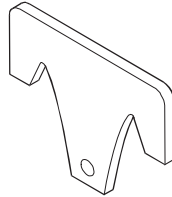
2. Packing List



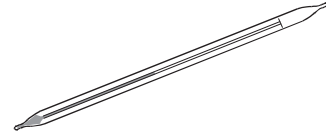
Float



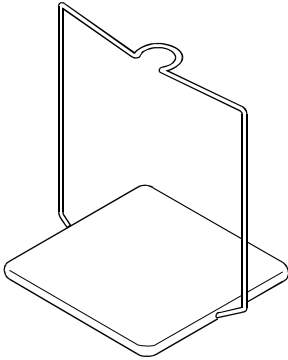
Wire



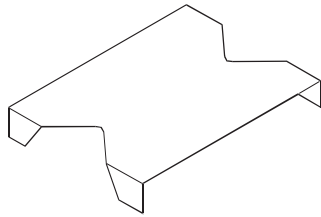
Float hook



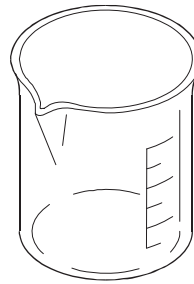
Thermometer



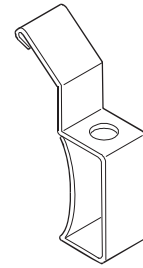
Density pan stand



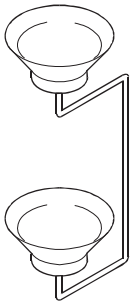
Beaker stand



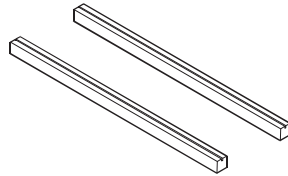
Beaker



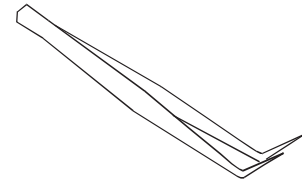
Thermometer clamp



Density pan

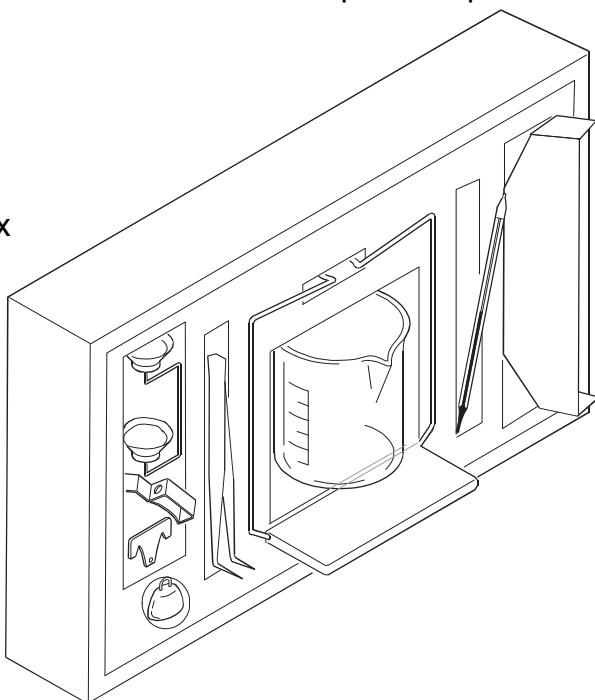


Beaker stand spacer 2 pieces



Tweezers

Kit box



3. Density Measurement Principle

3.1. Density

- Density means the amount of mass of a sample per unit volume. (Unit [g/cm³] and others)

$$\rho = \frac{M}{V} \quad \rho: \text{Density [g/cm}^3\text{]} \quad M: \text{Mass [g]} \quad V: \text{Volume [cm}^3\text{]}$$

3.2. Specific Gravity

- Specific gravity means the ratio of the density of a sample to the density of pure water (with the same volume as that of the sample) at 4 °C at 1013.25 hPa.

$$\rho = \frac{M}{V \cdot \rho_4} \quad \rho: \text{Specific gravity [No unit]} \quad M: \text{Mass [g]} \quad V: \text{Volume [cm}^3\text{]} \\ \rho_4: \text{Density of water at 4 [}^\circ\text{C], 0.99997 [g/cm}^3\text{]} \quad 1.000 \text{ [g/cm}^3\text{]}$$

3.3. Density Measurement Principle

- The GXA-13 combined with an authorized balance can measure the density of a sample based on the Archimedes' principle.

Archimedes' Principle of Density Measurement

A body immersed in a liquid (gas) is subject to an upward force equal to the weight of the liquid (gas) it displaces. The upward force is buoyancy.

3.4. Density of a Solid

- The density of a solid can be obtained according to the sample weight in air, sample weight in liquid and the density of the liquid.

$$\rho = \frac{A}{A - B} \times \rho_0 \quad \rho: \text{Density of sample [g/cm}^3\text{]} \quad A: \text{Sample weight in air [g]} \\ \rho_0: \text{Density of liquid [g/cm}^3\text{]} \quad B: \text{Sample weight in liquid [g]}$$

3.5. Density of a Liquid

- The density of a liquid can be obtained according to the weight of the float in air, the weight of the float in a liquid, and the known volume of the float.

$$\rho = \frac{A - B}{V} + d \quad \rho: \text{Density of liquid [g/cm}^3\text{]} \quad A: \text{Weight of the float in air [g]} \\ V: \text{Volume of the float [cm}^3\text{]} \quad B: \text{Weight of the float in liquid [g]} \\ d: \text{Density of air (approximately 0.001 [g/cm}^3\text{])}$$

4. Error Factors

- There are several error factors that may affect the accuracy of a density measurement.

4.1. Buoyancy of Air

- When the liquid density is measured, an upward force, 0.0010 to 0.0014 [g/cm³], is exerted in proportion to the volume of the liquid. The buoyancy in air per 1 [cm³] is found by:

$$d = \frac{0.0012932}{1+0.0036728 \times t} \times \frac{P}{1013.25}$$

d: Air density [g/cm³] t: Air temperature [°C]
P: Air pressure [hPa]

- When obtaining measurement results down to the third decimal place, 0.001 [g/cm³] is added to the measured value to compensate for an error in air density.

4.2. Temperature of a Liquid

- When taking a density measurement using a liquid, the density measurement will change depending on the temperature. Obtain the density of a liquid by comparing its temperature with the values in "Table 1 Temperature and Density of Water" for distilled water or provided in other reference documents for other liquids.

4.3. Volume of Float

- The tolerance of the measured value of the volume of the float is ±0.01 [cm³].

4.4. Influence of Wire

- When a solid sample is placed on the density pan for measurement, which is immersed in a liquid, the liquid surface position rises. At this time, the wire (φ1 mm) connecting the upper and lower pans is subject to the buoyancy whose magnitude is equal to the weight of the raised liquid. 1 mm raise of the liquid surface exerts a buoyancy of approx. 0.8 mg to the wire. To minimize a measurement error caused by the buoyancy, adjust the sample size so that it will not raise the liquid surface, or perform a mathematical correction.
- When measuring the density of a liquid, the float-suspending wire (φ2 mm) immersed in the liquid affects the measurement. Immersing the wire by 10 mm exerts a buoyancy of approx. 0.3 mg to the wire. However, this buoyancy can be ignored because it is divided by the volume of the float when the density of the liquid is obtained.

4.5. Surface Tension

- When the density of a solid is measured, a force of approx. 5 mg (surface tension) is applied to the density pan, between the wire ($\phi 1$ mm) of the density pan and the surface of the liquid.
- The surface tension can be reduced to approx. 1 mg by adding a surfactant (for example, a water droplet preventive solution as used for developing photographs). Adding 0.1 mL (1.2 [g/cm³] density) of a surfactant to 200 mL of water will increase the density of the water by approx. 0.0001 [g/cm³].
- When the density of a liquid is measured, a force of about 1 mg is exerted by the wire of 0.2 mm in diameter. However, this force can be ignored because it is divided by the volume of the float.

4.6. Bubbles

- The buoyancy of a bubble of 1 mm in diameter is approx. 0.5 mg. Stickiness of bubbles depends on the shape and material of a sample. Make measurements considering the characteristic of bubbles.
- When the density of a solid is measured, we recommend adding a surfactant to reduce the influence of surface tension and bubbles.

5. Measuring the Density of a Solid

5.1. Assembling the Kit

Step 1. Remove the weighing pan and breeze break from the balance.

Step 2. Put the density pan stand on the pan support.

Step 3. Place the spacer under the legs of the beaker stand so that the legs fit to the ditch of the spacer.
Put the beaker stand on the balance as such that it will not touch the density pan stand.

Step 4. Attach the thermometer clamp to beaker.
Insert the thermometer into the clamp.

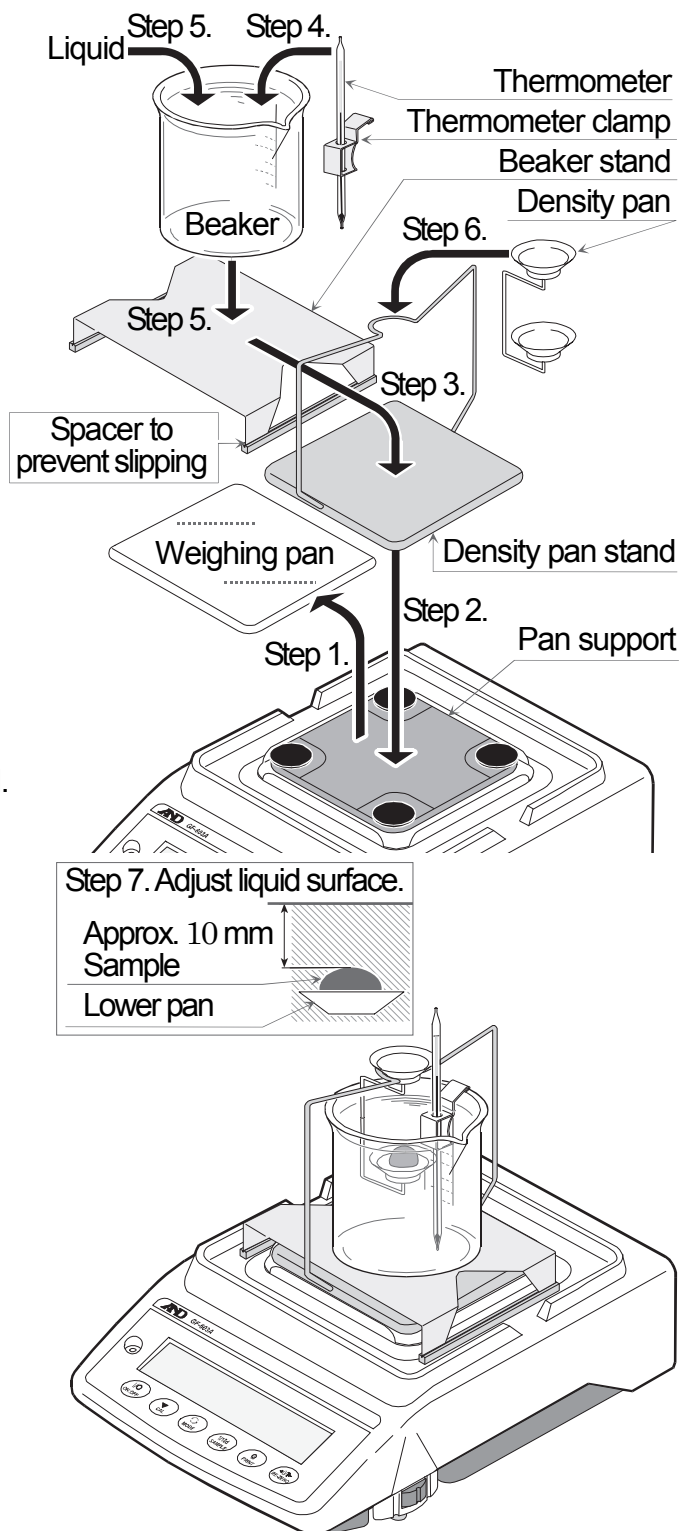
Step 5. Pour a liquid (distilled water, etc.), whose specific gravity is known, into the beaker.
Put the beaker on the beaker stand.

Step 6. Place the density pan on the density pan stand.

Step 7. Adjust the amount of the liquid so that sample is approximately 10 mm under the surface of the liquid when the sample is put on the lower pan of the density pan in the liquid.

Step 8. Press the **RE-ZERO** key to display zero after the weighed value stabilized.
All preparations are complete.

If the weighing value is unstable due to breeze and vibration, etc., increase the parameter of "Condition (ρ_{air})" in the function table or use the breeze break.



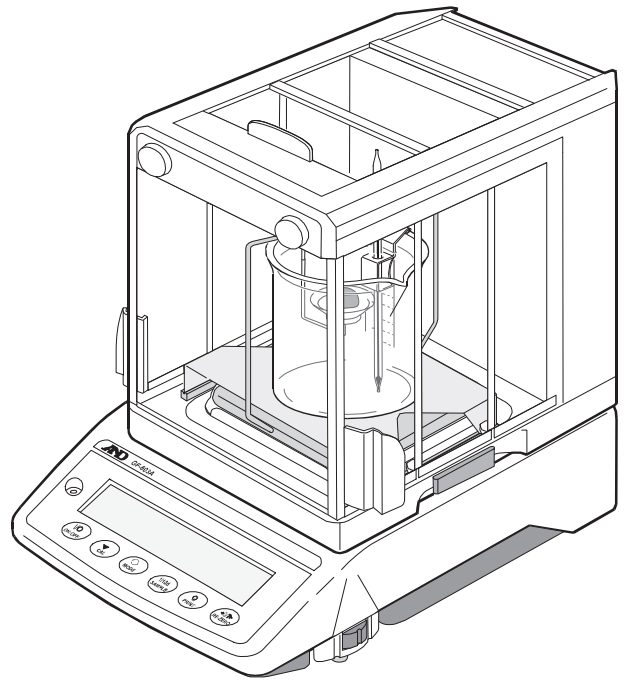
5.1.1. Assembling the Kit Using Glass Breeze Break (GXA-10)

Step 1. Remove the weighing pan from the balance.

Step 2. Place the breeze break on the balance and perform the procedures from step 2 to step 8 on the last page.

All preparations are complete.

If the weighing value is unstable due to breeze and vibration, etc., increase the parameter of "Condition ([COND])" in the function table or use the breeze break.



5.2. Measuring the Density of a Solid

- The density of a solid can be obtained by averaging the measured values. Display example is GX-6002A.

Step 1. Start the measurement after the water temperature becomes stable.

Step 2. Press the **RE-ZERO** key to display zero.

Step 3. Put sample on the upper pan of the density pan and record the measurement value **A** in air.

Step 4. Press the **RE-ZERO** key to display zero.

Step 5. Put sample on the lower pan of the density pan and record measurement value **B** in liquid.

Adjust the amount of the liquid so that sample is approximately 10 mm under the liquid surface when the sample is put on lower pan in the liquid.

Step 6. Obtain the water density using the water temperature and "Table-1, temperature and density of water". Acquire liquid density using the following formula substituted the measured value.

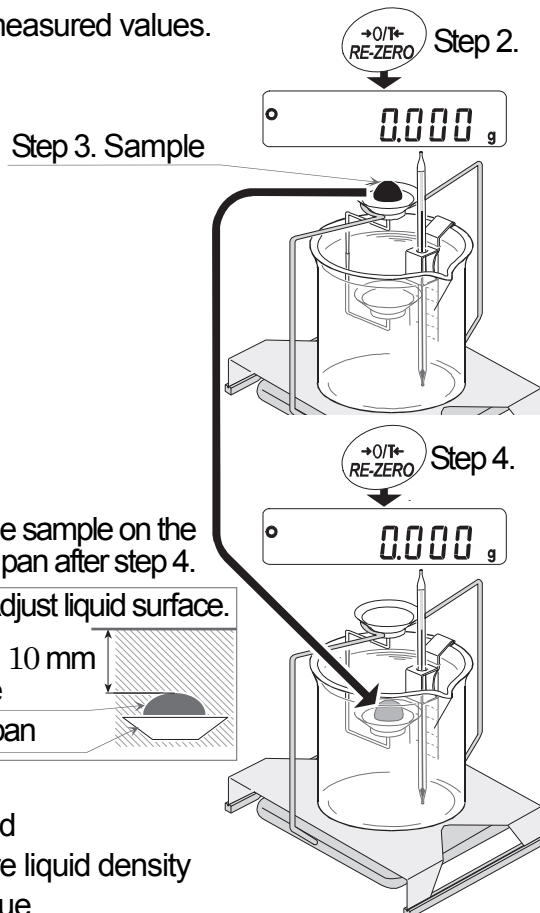
$$\rho = \frac{A}{|B|} \times \rho_0$$

ρ : Calculated sample density [g/cm³]
 ρ_0 : Water density [g/cm³]
A : Measurement value in air [g]
B : Measurement value in water [g]

Example of recording sheet and calculation (3 significant figures).

Measurement value in air A	4.810 [g]	Measurement value in water B	0.595 [g]	Water temperature	26 °C
Water density ρ_0	0.99678 [g/cm ³]	Calculated sample density ρ	8.06 [g/cm ³]		

$$\frac{4.810}{|0.595|} \times 0.99678 = 8.06 \text{ [g/cm}^3\text{]}$$



5.2.1. Density of Water

- At sea level (1 atmosphere pressure), the density of water reaches a maximum at 3.98 [°C].

Table 1, Temperature and Density of Water

Unit: g/cm³

°C	+0	+1	+2	+3	+4	+5	+6	+7	+8	+9
0	0.99984	0.99990	0.99994	0.99996	0.99997	0.99996	0.99994	0.99990	0.99985	0.99978
10	0.99970	0.99961	0.99949	0.99938	0.99924	0.99910	0.99894	0.99877	0.99860	0.99841
20	0.99820	0.99799	0.99777	0.99754	0.99730	0.99704	0.99678	0.99651	0.99623	0.99594
30	0.99565	0.99534	0.99503	0.99470	0.99437	0.99403	0.99368	0.99333	0.99297	0.99259
40	0.99222	0.99183	0.99144	0.99104	0.99063	0.99021	0.98979	0.98936	0.98893	0.98849

6. Measuring the Density of a Liquid

6.1. Assembling the Kit

- Assemble the kit as described in the procedure below.

Step 1. Refer to "5.1. Assembling the Kit" up to assembling the beaker stand.

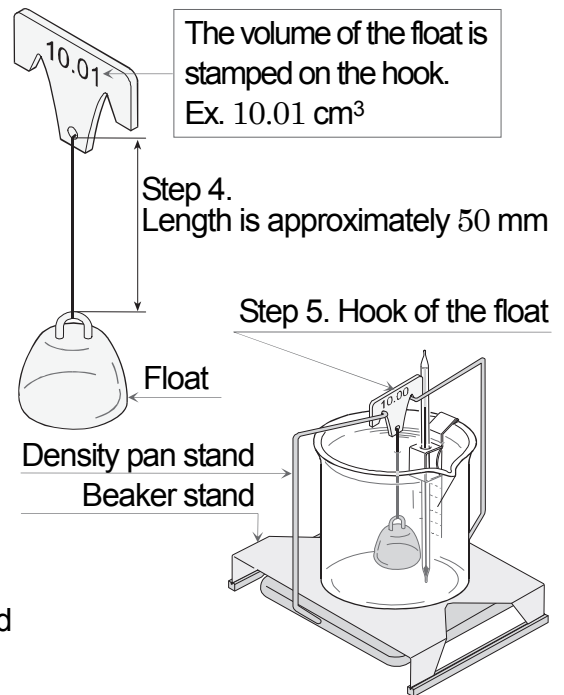
Step 2. Attach the thermometer clamp to beaker. Insert the thermometer through this clamp.

Step 3. Put the beaker on the beaker stand.

Step 4. Connect the float and hook using stainless wire whose length is approximately 50 mm.

Step 5. Hang the hook to density pan stand.

Step 6. Press the **RE-ZERO** key to display zero after weighed value stabilized. All preparations are complete.



6.2. Measuring the Density of a Liquid

- The density of a liquid can be obtained by the following procedure. Display example is GX-6002A.

Step 1. Hang the float into the empty beaker and press the **RE-ZERO** key to display zero.

Step 2. To measure density of the liquid, pour it into the beaker.

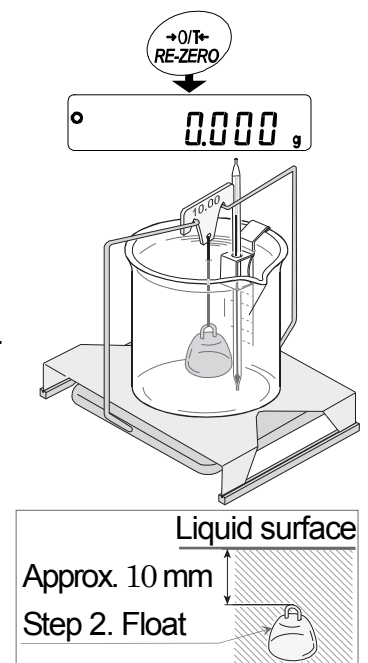
Adjust the amount of the liquid so that the sample is approximately 10 mm under the liquid surface when the sample is hung in the liquid.

Step 3. Record absolute value **A** of measurement value after it becomes stable. (As buoyancy of float **A**)

Step 4. Acquire the density of a liquid using the following formula and substituting the measured value.

$$\rho = \frac{A}{V} + d$$

ρ : Calculated density of liquid [g/cm³]
 A : buoyancy of float [g]
 V : Volume of float (stamped on the hook) [cm³]
 d : Density of air (Approximately 0.001 [g/cm³])



Example of recording sheet and calculation (3 significant figures).

Buoyancy of float A	9.970 g	Volume of float V	10.01 cm ³	Density of air d	1.184x10 ⁻³ g/cm ³
Temperature	25 °C	Atmospheric pressure	1013.25 hPa	Calculated density of liquid ρ	0.997 g/cm ³

$$\frac{9.970}{10.01} + 0.001 = 0.997 \text{ [g/cm}^3\text{]}$$

7. Density Measurement Using the GX-A/GF-A Balance

- The GX-A / GF-A balances are equipped with a density function (specific gravity mode).
When this density determination kit GXA-13 is used with density function of the following balances, the density of a solid and liquid can be measured.
GX-203A, GX-303A, GX-403A, GX-603A, GX-1003A, GX-1603A,
GF-203A, GF-303A, GF-403A, GF-603A, GF-1003A, GF-1603A

Caution

- The density function ($d5 Fnc$) of the balance cannot be selected when using factory settings.
The density function of the balance does not display in the function table when the specific gravity (US) of the weighing unit ($Unit$) is inactive. To use the specific gravity of the weighing unit, register "specific gravity" of "weighing unit" in the "function table" at first, and then select the specific gravity (US) of the weighing unit using the **MODE** key in weighing mode.
- When the liquid density input (Ldn) is active, the liquid density input (Ldn) or density of solid ($d5$) is displayed. Refer to the instruction manual of balance for operation method of the "function table".
- The measurement value of density (specific gravity) is fixed to 3 decimal places.

7.1.1. Preparation Before Measurement (Settings of the Function Table)

Set the function table of the balance before the density function (specific gravity mode) is used.

Enabling the Unit of Specific Gravity (US)

Register the specific gravity (US) of the weighing unit ($Unit$).

Step 1. Press and hold the **SAMPLE** key in weighing mode. $bR5Fnc$ of the function table is displayed.

Step 2. Press the **SAMPLE** key to display the weighing unit $Unit$.

Step 3. Register the specific gravity (US) using the following keys. (Specify order of indication.)

SAMPLE key..... Selects the weighing unit.

RE-ZERO key..... Registers it and displays stable mark 0 .

Step 4. When the **PRINT** key is pressed, the current registration is in effect. End is displayed.

When the **CAL** key is pressed, the balance returns to weighing mode.

Display the specific gravity (US) using the **MODE** key.

Selecting Substance (Solid or Liquid)

Select a substance which is either solid or liquid. It can be specified at "substance selection ($d5$)" of "density function ($d5 Fnc$)" in the function table.

Step 5. Press and hold the **SAMPLE** key in weighing mode. $bR5Fnc$ of the function table is displayed.

Step 6. Select "density function ($d5 Fnc$)" using the **MODE** key and enter it using the **PRINT** key.

Step 7. Select substance using the following keys.

SAMPLE key..... Used to select "substance selection ($d5$)".

RE-ZERO key..... Selects either "solid density measurement (S)" or "liquid density measurement (L)".

Description of settings is as follows:

- "Solid (\square)"Proceeds to "7.1.2. Measuring Solid Density (Specific Gravity), Function Table $d5 \square$ " after step 9.
- "Liquid ($!$)".....Proceeds to "7.1.4. Measuring Liquid Density (Specific Gravity), Function Table $d5 !$ " after step 9.

Selecting Input Method of Liquid Density Used for Solid Density Measurement (Specific Gravity)

If the density of a liquid is measured directly, proceed to step 9.

Step 8. The density of a liquid can be registered using the following keys.

- SAMPLE key.....Used to select the "density function ($L d ! n$)".
- RE-ZERO key.....Specifies either "Density input of liquid using water temperature (\square)" or "Direct density input of liquid ($!$)".
- PRINT key.....Stores the current settings.

Description of settings is as follows:

- "Water temperature input (\square)"
 - Proceeds from step 4
 - of "7.1.2. Measuring Solid Density (Specific Gravity), Function Table $d5 \square$ "
 - to "Method to Input the Water Temperature ($L d ! n \square$)" of "7.1.3. Specifying Liquid Density".
- "Direct density input ($!$)"
 - Proceeds from step 4
 - of "7.1.2. Measuring Solid Density (Specific Gravity), Function Table $d5 \square$ "
 - to "Method to Input the Density Directly ($L d ! n !$)" of "7.1.3. Specifying Liquid Density".

Step 9. All preparations are complete.

To start a measurement, display the weighing mode.
Display the specific gravity (\square) using the MODE key.

Reference

- The density function (specific gravity) uses "density function ($d5 F n c$)" of the function table.

Class	Item	Parameter	Description
$d5 F n c$ Density function (Specific gravity)	$L d ! n$ Liquid density input	■ \square	Density input of a liquid using water temperature
		$!$	Direct density input of a liquid
	$d5$ Substance selection	■ \square	Density measurement of a solid
		$!$	Density measurement of a liquid

- indicates factory settings.

7.1.2. Measuring Solid Density (Specific Gravity), Function Table $d5$ $\bar{0}$

Cautions

- When the temperature or type of liquid changes, register again the density of the liquid using "7.1.3. Specifying Liquid Density".
- The measurement value of the density function (specific gravity mode) is fixed to 3 decimal places. The minimum division cannot be changed using the **[SAMPLE]** key.
- The procedure of the density (specific gravity) measurement is to weigh the sample in air, to weigh the sample in liquid and to display calculated density of the sample.

Procedure

Step 1. Preparation of a measurement in air. (g shows, \blacktriangleleft blinks)
Press the **[RE-ZERO]** key to display zero when nothing is put on the upper pan and lower pan.

Step 2. Put the sample on the upper pan and wait until the weighing value is stable. If necessary, press the **[PRINT]** key to output weighing value. Press the **[SAMPLE]** key to record weighing value in air and proceed to measurement in liquid (g shows, \blacktriangleleft blinks).

Cautions

- The **[SAMPLE]** key is inactive when weighing value is negative value and overload \bar{E} .

Step 3. Move the sample from upper pan to lower pan. If necessary, press the **[PRINT]** key to output weighing value after it becomes stable. Press the **[SAMPLE]** key to record the weighing value in liquid and proceed to the density input of liquid (g hides, \blacktriangleleft shows).

Cautions

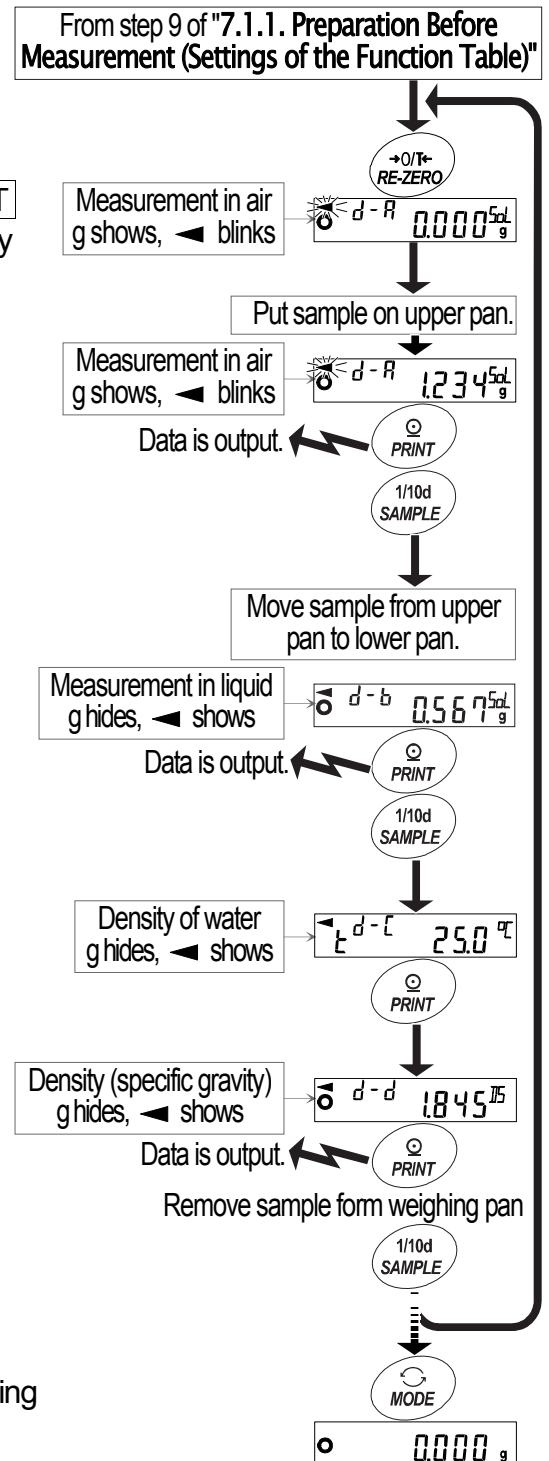
- The **[SAMPLE]** key is inactive when weighing value is overload \bar{E} .

Step 4. The density input of water (g hides, \blacktriangleleft shows).
Refer to "7.1.3. Specifying Liquid Density" and input the density of water. Press the **[PRINT]** key to proceed to the density display of the sample.

Step 5. If necessary, while the density of the sample is displayed, press the **[PRINT]** key to output it. If another sample is being measured, press the **[SAMPLE]** key and proceed to step 1. The unit of density (specific gravity) is $\bar{15}$.

Step 6. When the temperature and type of liquid changes, if necessary, register again the density of the liquid according to step 4-1 of "7.1.3. Specifying Liquid Density".

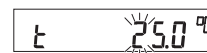
Step 7. If the **[MODE]** key is pressed, the display is changed to other weighing mode.



7.1.3. Specifying Liquid Density

- Select the density input method of a liquid when the solid density is measured.
The "liquid density input (ρ_{liq})" has density input of liquid using water temperature (T)" and "direct density input of liquid (ρ)".

Method to Input the Water Temperature ($\rho_{liq} T$)



Step 4-1. This step is an additional explanation of step 4 in the last page.

The current setting of water temperature is displayed. (Factory setting is 25.0 °C.)

Refer to "5.2.1. Density of Water" concerning the relation between temperature and density of water.

Register the water temperature using the following keys.

The setting range of temperature is 0.0 to 99.9 °C in 0.1 °C interval.

- RE-ZERO** keyIncreases number of a blinking digit. (+ key)
(Number next 9 is 0.)
- MODE** key.....Decreases number of a blinking digit. (- key)
(Number next 0 is 9.)
- SAMPLE** key.....Moves blinking digit.
- PRINT** key.....Stores the current setting and proceeds to the density display.
(Proceed to step 5 of last page.)
- CAL** key.....Cancels the setting and proceeds to the density display.
(Proceed to step 5 of last page.)

Method to Input the Density Directly ($\rho_{liq} \rho$)



Step 4-1. This step is an additional explanation of step 4 in the last page.

The current setting of density of water is displayed. (Factory setting is 1.000 g/cm³.)

Register density of water using the following keys.

The setting range of density is 0.000 to 1.999 g/cm³.

If the input becomes out of range, the balance displays **Error 2** and returns to the input display.

- RE-ZERO** keyIncreases number of a blinking digit. (+ key)
(Number next 9 is 0.)
- MODE** key.....Decreases number of a blinking digit. (- key)
(Number next 0 is 9.)
- SAMPLE** key.....Moves blinking digit.
- PRINT** key.....Stores the current setting and proceeds to the density display.
(Proceed to step 5 of last page.)
- CAL** key.....Cancels the setting and proceeds to the density display.
(Proceed to step 5 of last page.)

7.1.4. Measuring Liquid Density (Specific Gravity), Function Table $d5$ 1

- The measurement value of density (specific gravity) is fixed to 3 decimal places. Minimum division cannot be changed using the **SAMPLE** key. The procedure of the density (specific gravity) measurement is to weigh the float in air, to weigh the float in liquid and to display calculated density of the float. Each status and indications are as follows :

Procedure

Step 1. Preparation of a measurement in air. (g shows, ◀ blinks)
Press the **RE-ZERO** key to display zero when nothing is put on the upper pan and lower pan.

Step 2. Put the float on the upper pan and wait until the weighing value is stable. If necessary, press the **PRINT** key to output the weighing value. Press the **SAMPLE** key to record weighing value in air and proceed to the measurement in liquid (g shows, ◀ blinks).

To measure the density of the liquid, pour it into the beaker.

- # Adjust the amount of the liquid so that the float is approximately 10 mm under the liquid surface when float is hung in the liquid.

Cautions

- The **SAMPLE** key is inactive when weighing value is negative value and overload **ε**.

Step 3. Put the float on lower pan and wait until the weighing value is stable. If necessary, press the **PRINT** key to output the weighing value. Press the **SAMPLE** key to record weighing value in liquid and proceed to the volume input of the float (g hides, cm^3 shows, ◀ shows).

Cautions

- The **SAMPLE** key is inactive when weighing value is negative value and overload **ε**.

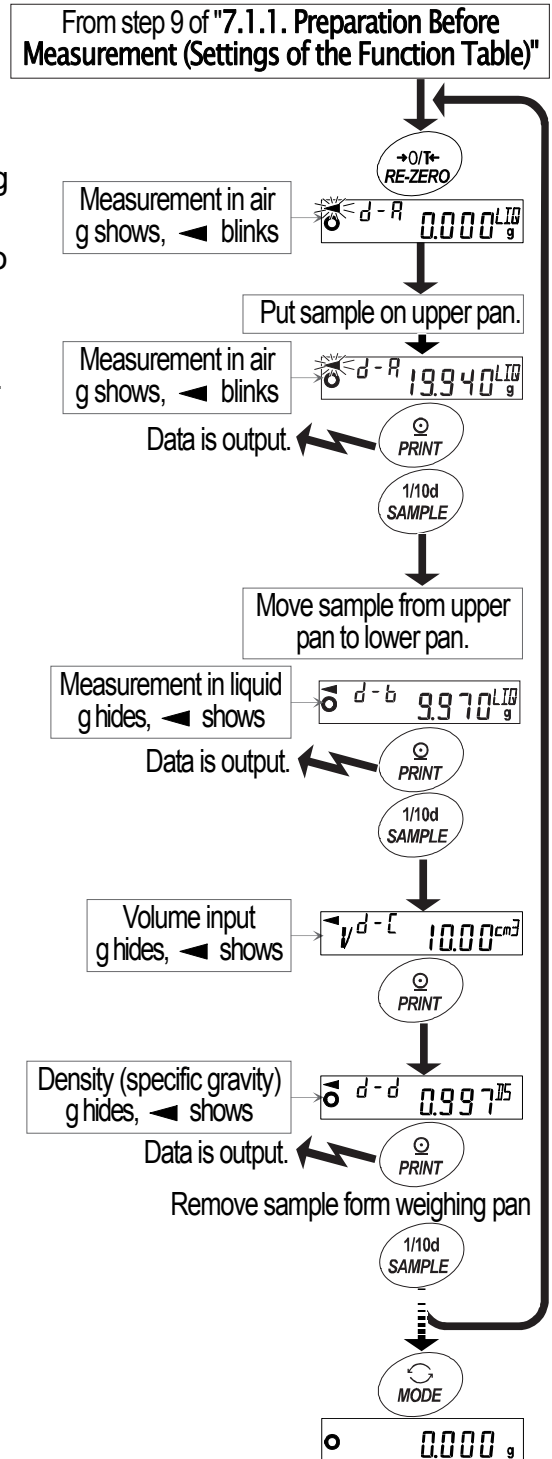
Step 4. Refer to "7.1.5. Specifying Volume of Float" and input the volume of the float. Press the **PRINT** key to proceed to density indication.

Step 5. If necessary, while the calculated density of liquid is displayed, press the **PRINT** key to output it.

If another liquid is measured, press the **SAMPLE** key and proceed to step 1.

The unit of density (specific gravity) is $\frac{g}{cm^3}$.

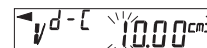
Step 6. If the **MODE** key is pressed, the display is changed to other weighing mode.



7.1.5. Specifying Volume of Float

Step 4-1. This step is an additional explanation of step 4 in the last page.

The current volume of the float is displayed. (Factory setting is 10.00 cm³.)



Register the volume using the following keys.

The setting range of volume is 0.01 to 99.99 cm³ in 0.01 cm³ interval.

- RE-ZERO keyIncreases number of a blinking digit. (+ key)
(Number next 9 is 0.)
- MODE key.....Decreases number of a blinking digit. (- key)
(Number next 0 is 9.)
- SAMPLE key.....Moves a blinking digit.
- PRINT key.....Stores the current setting and proceeds to the density display.
(Proceed to step 5 of last page.)
- CAL key.....Cancels the setting and proceeds to the density display.
(Proceed to step 5 of last page.)

8. Frequently Asked Questions and Answers

Question:

I would like to measure the density of a resin pellet or sheet, which floats in water. Is this possible?

Answer:

Use a liquid that has a lower density than water and does not dissolve the sample, such as methanol (density 0.798) or kerosene (density 0.80). The density of the liquid used is measured using the float provided with the kit.

Question:

Can a sample containing bubbles be measured?

Answer:

The density of a sample with bubbles contained can be measured as it is. But as time passes, the bubbles disappear and the apparent density may change. A sample, which floats on water due to this low density, cannot be measured.

Question:

The measurement repeatability may be affected by the water's surface tension.

What can I do about this?

Answer:

A few drops of a surfactant (for example, a mild detergent for washing dishes) added to the water reduces the influence of surface tension. A few drops of a surfactant will affect the liquid density only a very small amount. When methanol is used in place of water, the influence of surface tension is small, even without a surfactant.

Question:

When tap water is used, bubbles are gradually generated on the sample surface and a measurement error occurs. What can I do about this?

Answer:

Tap water contains dissolved gases such as oxygen and carbon dioxide. When tap water is used, the released dissolved gases generate bubbles. It is recommended that pure water or distilled water, which contains few dissolved gases, be used.

Question:

I try to measure a highly water resistant material such as rubber, but bubbles stick to the sample.

What can I do about this?

Answer:

Before measurement, soak the sample in the water with an appropriate amount of surfactant added. Doing this increases the sample surface hydrophilicity and bubbles may only stick to the sample surface in a very small amount.

Question:

Up to what size of sample can be measured?

Answer:

Considering the density pan size, the maximum size of the sample that can be measured is as follows: Diameter 25 mm Height 30 mm

Question:

Can I measure the density of a liquid with a high viscosity?

Answer:

A liquid with a viscosity up to 500 [mPa x s] can be measured. If the viscosity exceeds this value, the float takes an excessive amount of time to sink and a measurement error occurs. Measuring adhesives is not recommended because the adhesive sample may be difficult to remove from the float.

Question:

When a semi-micro balance is used, is accuracy improved?

Answer:

Surface tension affects the measurement value in the range approximately between 0.2 mg and 1.0 mg. In a measurement using the 0.1 mg range, the magnitude of an error and the level of balance accuracy are almost the same. In a measurement using the 0.01 mg range, the magnitude of an error greatly exceeds the level of balance accuracy. Therefore using a semi-micro balance is not recommended.



A&D Company, Limited

3-23-14 Higashi-Ikebukuro, Toshima-ku, Tokyo 170-0013, JAPAN
Telephone: [81] (3) 5391-6132 Fax: [81] (3) 5391-6148

A&D ENGINEERING, INC.

1756 Automation Parkway, San Jose, California 95131, U.S.A.
Telephone: [1] (408) 263-5333 Fax: [1] (408) 263-0119

A&D INSTRUMENTS LIMITED

Unit 24/26 Blacklands Way, Abingdon Business Park, Abingdon, Oxfordshire OX14 1DY United Kingdom
Telephone: [44] (1235) 550420 Fax: [44] (1235) 550485

A&D AUSTRALASIA PTY LTD

32 Dew Street, Thebarton, South Australia 5031, AUSTRALIA
Telephone: [61] (8) 8301-8100 Fax: [61] (8) 8352-7409

A&D KOREA Limited

한국에이.엔.디(주)

서울특별시 영등포구 국제금융로6길33 (여의도동) 맨하탄빌딩 817 우편 번호 150-749
(817, Manhattan Bldg., 33. Gukjegeumyung-ro 6-gil, Yeongdeungpo-gu, Seoul, 150-749 Korea)
전화: [82] (2) 780-4101 팩스: [82] (2) 782-4280

ООО A&D RUS

ООО "Эй энд Ди Рус"

121357, Российская Федерация, г.Москва, ул. Вереysкая, дом 17
(Business-Center "Vereyskaya Plaza-2" 121357, Russian Federation, Moscow, Vereyskaya Street 17)
тел.: [7] (495) 937-33-44 факс: [7] (495) 937-55-66

A&D INSTRUMENTS INDIA PRIVATE LIMITED

ऐ&डी इन्स्ट्रुमेंट्स इण्डिया प्रा० लिमिटेड

509, उद्योग विहार, फेस -5, गुडगांव - 122016, हरियाणा, भारत
(509, Udyog Vihar, Phase-V, Gurgaon - 122 016, Haryana, India)
फोन : 91-124-4715555 फैक्स : 91-124-4715599