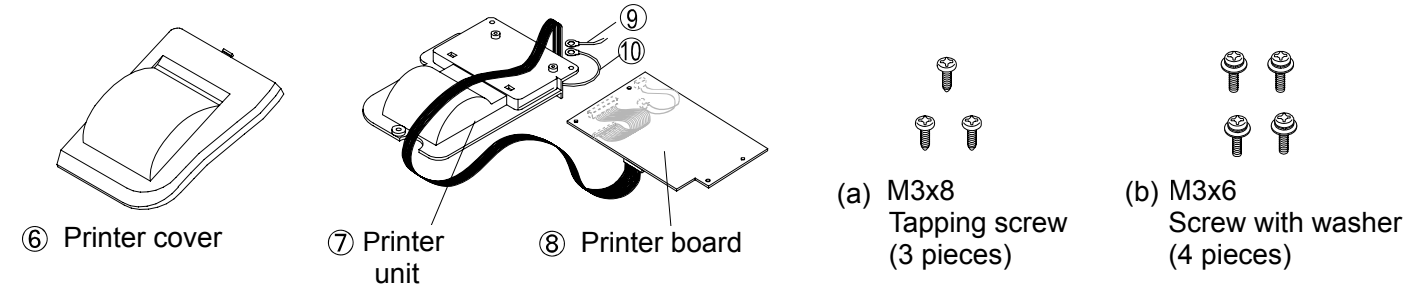


AD-4405-06 OPTIONAL PRINTER INSTRUCTION MANUAL

Installing the optional printer (AD-4405-06)

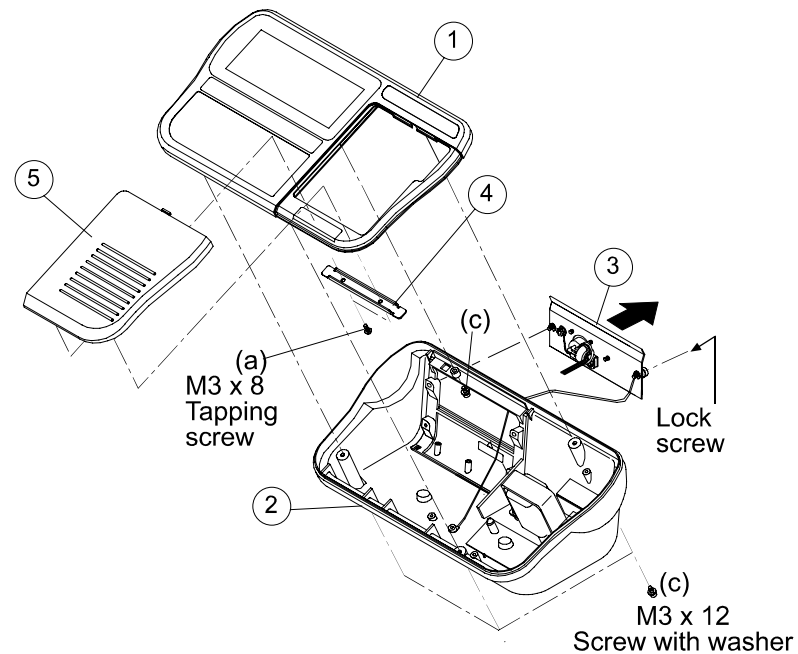
Note □ Do not remove any screws other than described below.

When opening the package, check whether all of the following items are included.



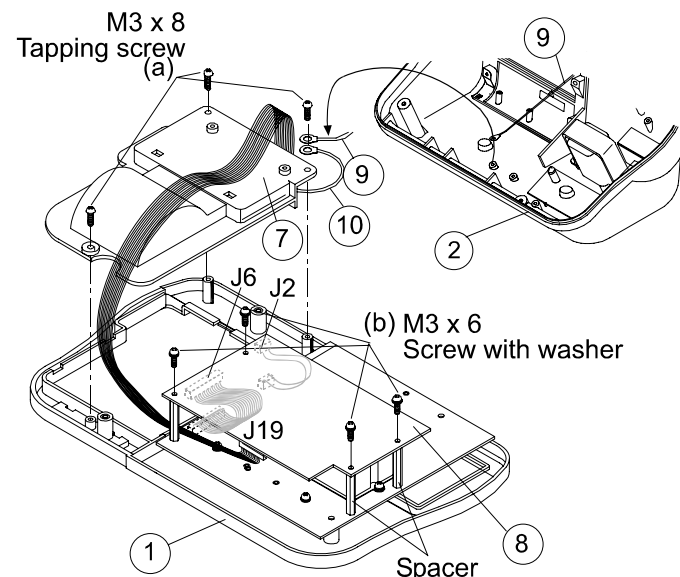
1. Disassembling the indicator

- Step 1 Disconnect the power cord from the electrical outlet.
- Step 2 Remove the screw that holds the rear panel unit (③). Loosen the lock screw and remove the rear panel unit (③), while taking care not to damage the cable.
- Step 3 Remove the 4 screws (c) and remove the upper case unit (①).
- Step 4 Disconnect the cable from the board mounted on the upper case unit (①).
- Step 5 Remove the 2 screws (a) and remove the cover (⑤) from the upper case unit (①).



2. Installing the optional printer

- Step 6 Connect the cables attached to the printer board (⑧) to the board mounted on the upper case unit (①).
- Step 7 Place the printer board (⑧) on the 4 spacers located on the board of the upper case unit (①). Secure the printer board (⑧), using the 4 screws (b).
- Step 8 Disconnect the grounding cable (⑨) from the lower case unit (②).
- Step 9 Secure the printer unit (⑦) to the upper case unit (①), together with the grounding cable (⑨) and the interconnect cable (⑩), using the 3 tapping screws (a).



3. Reassembling the indicator

- Step 10 Connect the cable attached to the rear panel unit (③) to the board mounted on the upper case unit (①).
- Step 11 Secure the upper case unit (①) to the lower case unit (②), using the 4 screws (c).
- Step 12 Secure the rear panel unit (③) to the lower case unit (②), using the screw and the lock screw.
- Step 13 Attach the printer cover (⑥) to the upper case unit (①).

