

AX-ST-ACR Acrylic Stand for the MPA Series Pipette Instruction Manual

1. Using the stand

• Placing a pipette on the stand

Place a pipette on the stand with the connection nut resting on the lower hook.

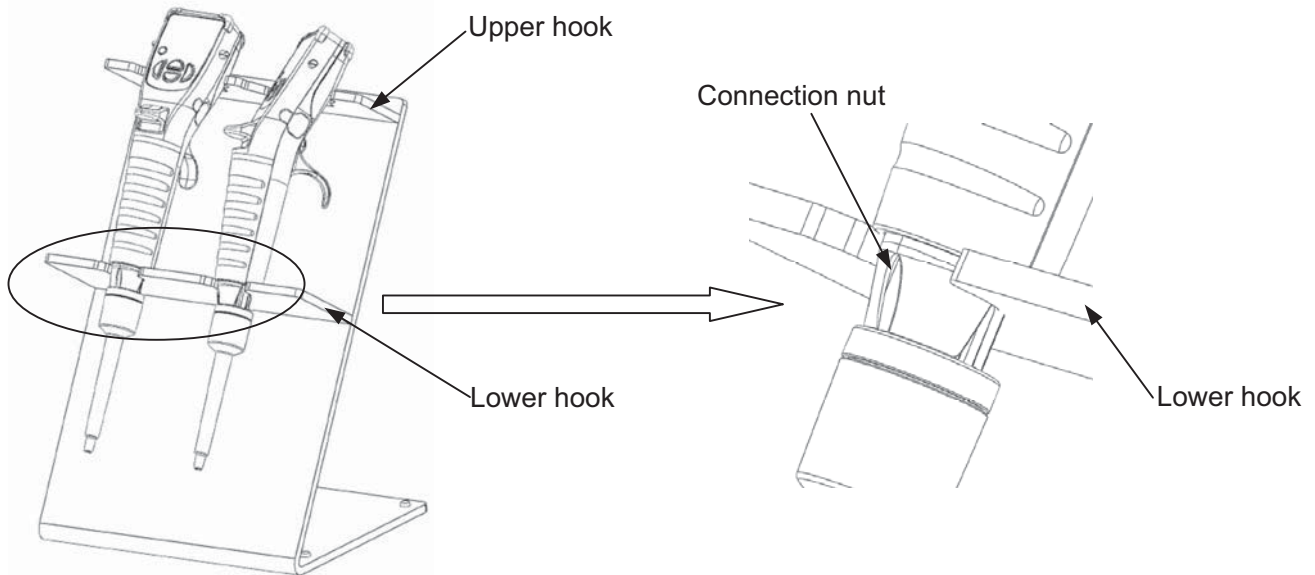


Fig.1

Detailed illustration 1

• When recharging the battery

When recharging the battery, place the pipette on the stand and tilt the pipette as shown in Detailed illustration 2. Doing so prevents the recharging power cable from contacting the adjacent pipette.

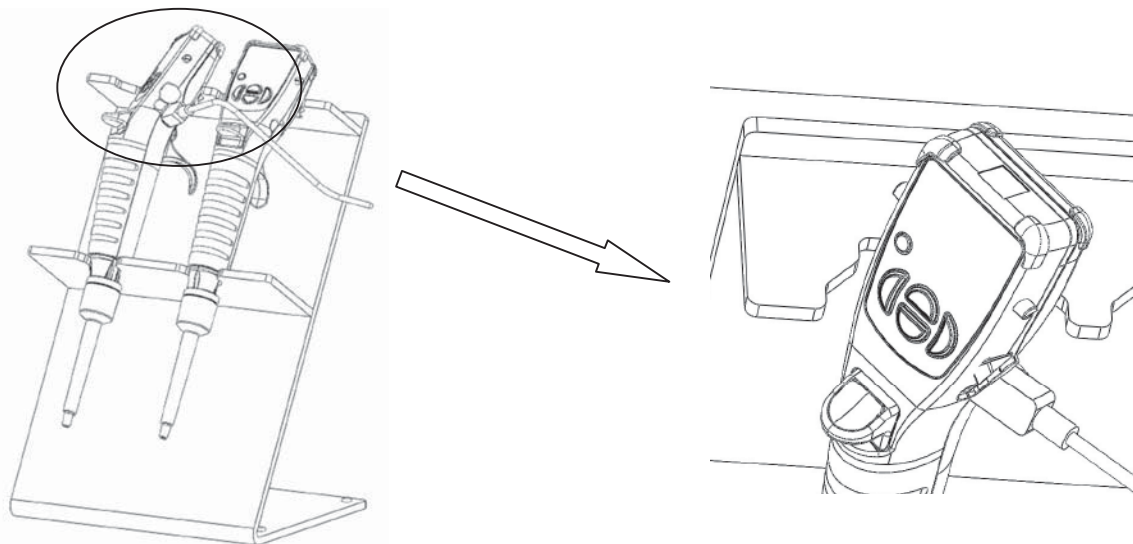


Fig.2

Detailed illustration 2

2. Specifications

Mass	Approx. 570 g
Dimensions	180 (W) x 157 (D) x 280 (H) mm
Material	Stand: Acrylic fiber / Non-slip rubber foot: Urethane



A&D Company, Limited

3-23-14 Higashi-Ikebukuro, Toshima-ku, Tokyo 170-0013, JAPAN
Telephone: [81] (3) 5391-6132 Fax: [81] (3) 5391-6148