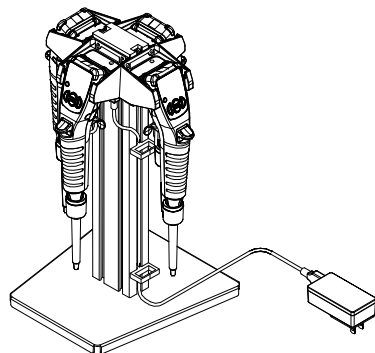


Charging stand for four MPAs

AX-ST-CH-M4

Instruction manual



© 2018 A&D Company, Limited. All rights reserved. No part of this publication may be reproduced, transmitted, transcribed, or translated into any language in any form by any means without the written permission of A&D Company, Limited.

The contents of this manual and the specifications of the instrument covered by this manual are subject to change for improvement without notice.



1WMPD4003079B

Safety Use

Please note the following items when the device is used.

CAUTION

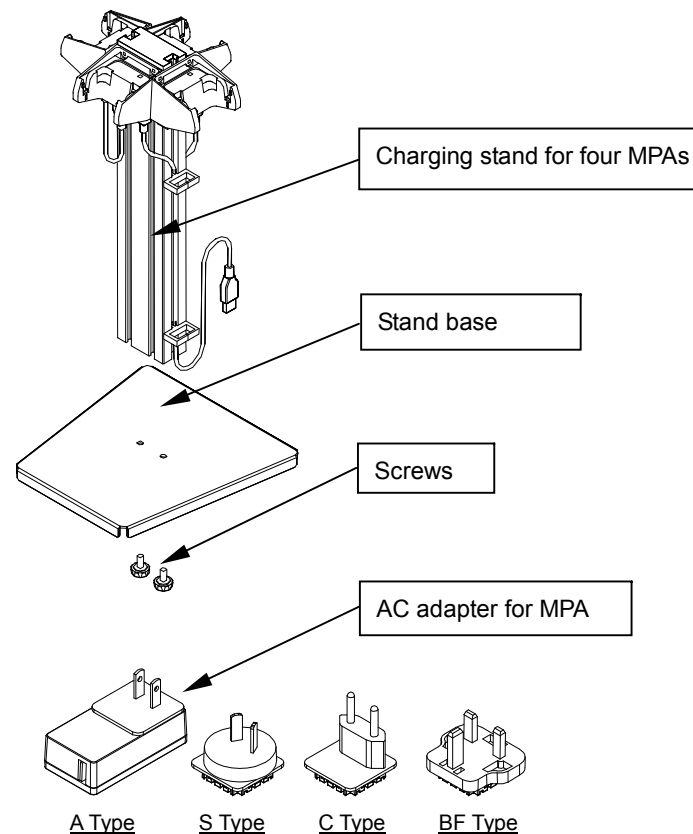
- Do not disassemble the device. Any damage or loss of functions caused by disassembly is not covered by warranty.
- Do not link multiple charging stands, as it may cause fire or damage the units or the MPA series of electronic pipettes (hereinafter called MPA).
- Use the provided AC adapter, as otherwise the charging stand, the MPA, or the power supply devices may be damaged.

1. Introduction

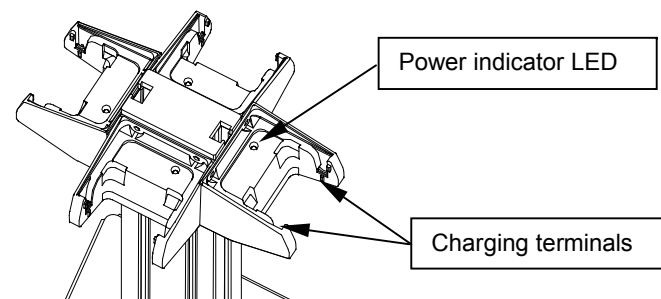
This manual describes how the AX-ST-CH-M4 charging stand for four MPAs works. To fully understand and make use of the product, please read this manual carefully before use. Also, please read the instruction manual for the MPA.

2. Package Contents and Each Part Name

- Charging stand for four MPAs
- Stand base
- Screw (2 pcs)
- AC adapter for MPA (AX-TB283)
- Instruction manual (This document)



* The A-type plug is initially attached to the AC adapter for use in Japan. For use outside of Japan, please change it to the type appropriate for your country.



Charging terminals : Receive an MPA for charging.

Power indicator LED : Lights up in green when power is supplied to the charging stand.

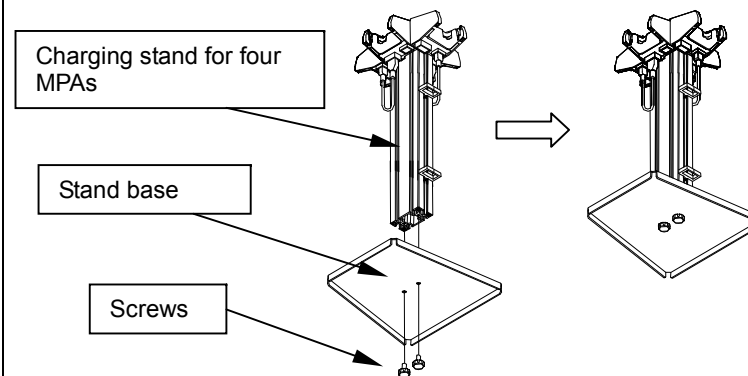
3. Features

- Charging starts automatically when an MPA is hooked onto the charging stand.
- Power supply stops automatically when charging is complete.
- Space saving installation (200 mm×200 mm)
- It is possible to charge four MPAs at the same time.

4. How to Use

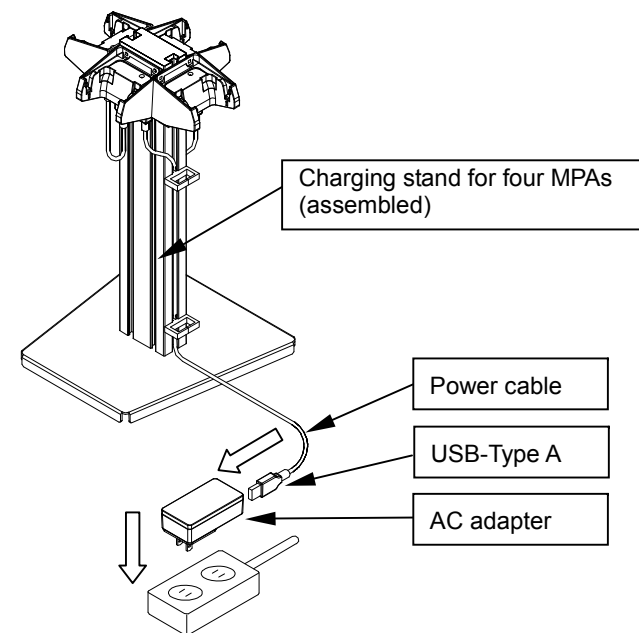
1. Securely mount the charging stand for four MPAs onto the stand base with the screws (2 pcs)

— Securing the post to the stand base —

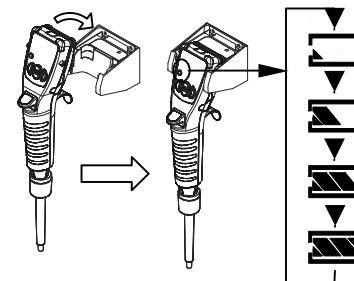


2. Prepare the provided AC adapter.

3. Connect the power cable (USB- Type A) connected to the charging stand to the AC adapter, and insert the AC adapter into an outlet. The four power indicator LEDs (Green) will light up.



4. Hook the MPAs onto the charging sections to start charging. Once charging starts, the battery indicator at the bottom left of the MPA display will blink as shown in the figure on the right.



5. Charging is complete when the MPA battery indicator is fully lit.



6. The MPAs can continue to be hooked to the charging stand after they are fully charged. (They will not be overcharged.)

5. Specifications

Input (Specified adapter)	100 VAC/0.3 A (50/60 Hz)
Input section / output section	5 VDC
Connectable devices	Electronic pipette MPA series
Dimensions	195(W)×350(H)×195(D) mm
Net weight	Approx. 1430 g (Excluding the AC adapter)

6. Accessories

- Linking cable AX-KO4730-10
- AC adapter for MPA AX-TB283