

Fully Automatic Blood Pressure Monitor

TM-2657P



CLINICALLY
VALIDATED



JAPAN
Quality & Design



*Accurate measurement with sophisticated
automatic cuff size adjustment mechanism
Easy operation
Small footprint*

Application & Point of use

The TM-2657P is the latest model in the range of freestanding fully automatic blood pressure monitors such as the acclaimed previous models, whose ground-breaking designs have been well received and have created many new applications, places of use, and new markets.

The main reasons for the high reputation of the previous models are their fast and accurate measurement, compact profile, ease-of-use, and durability. The TM-2657P has been superbly styled in Japan, having a slim and compact shape with increased printout speed, and offers a diversified selection for connectivity. The TM-2657P helps expand market potential, not only for hospitals, medical clinics and health check-ups, but also for corporate wellness in the workplace, pharmacy services, and fitness centers.



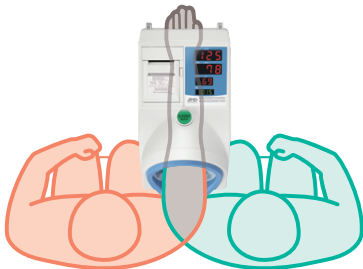
Accurate measurement at hospitals, other medical clinics...

In some hospitals, patients can take their own blood pressure measurement using a fully automatic monitor before seeing the doctor.

This "self triage" saves the patients' time and lightens the workload for the medical staff. And with modern validated BP monitors, the readings are as accurate as if the medical staff took the measurement.

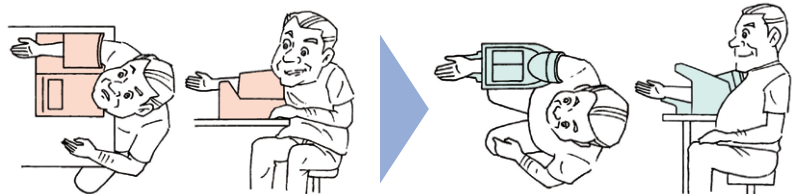
Pick an arm, any arm

Dual design allows the users to measure with either arm.



Ease of use removes measurement strain

The slim upright design of TM-2657P enables the ideal arm position to make precise blood pressure measurements.



Conventional monitors

TM-2657P

Barrier-free design

It is convenient for pregnant women, patients with back problems and patients in wheelchairs.



Small footprint

Slim design allows the users to put it against a wall or on a desk/counter top without taking up too much space.



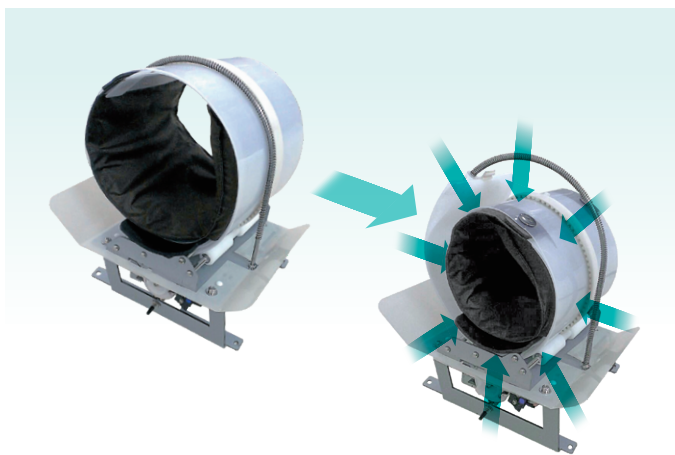
← 241 mm →

One button operation

START / STOP button located in the middle of the unit allows simple measurement with either hand.



"Torque Controlled Belt drive Method" (TCBM) adopted in our cuff fastening method



Accurate and reliable oscillometric measurement of blood pressure on the upper arm relies on correct cuff/bladder dimensions and pressure applied.

The A&D Torque Controlled Belt drive Method (TCBM) holds the upper arm perfectly with the essential personalized cuff circumference, the same measurement preparation carried out by clinical nurses.

This optimum ergonomic design enables the users to measure their blood pressure with accuracy, ease, safety, high speed and comfort.

Software Development Kit (SDK)

We offer SDK to integrate your application or system together with our devices

You can request it from here:

<https://www.aandd.jp/products/medical/sdk.html>



Optional extension communication board (RS-232C, USB, Bluetooth®)

- TM-2657-01-EX with MiniDIN 8pin and D-Sub 9pin
- TM-2657-02-EX with USB (TypeA x 1+ TypeB x 1)
- TM-2657-03-EX with D-Sub 9pin
- TM-2657-04-EX with D-Sub 9pin and Bluetooth Low Energy

The user can take control of the data and automate the operation. It can connect to PC, card readers, barcode readers, etc..

The user can also connect TM-2657P with other Bluetooth enabled devices when using TM-2657-04-EX.

(Please consult with A&D's dealers about the compatibility.)



Printer

Reliable thermal printer with open head design

This allows easy paper roll replacement and also helps to avoid possible paper jams.



Various print-out formats

TM-2657P provides the users with print-outs (original mark, pictures, messages, etc.) with your ad, pharmacy name, etc..

A large print area is reserved for the advertisement.

The printout can also include measurement information from other devices including some personal scales.

(Please consult with A&D's dealers about the compatibility.)

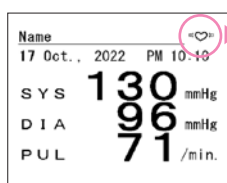
Bitmap



QR code



Other printing examples



"IHB" (Irregular Heart Beat)

The symbol for "IHB" is printed when it detects irregular pulse rate. Body motion and/or noise can be the reason.

(Note: This is for warning purpose only. A&D recommends contacting a physician if you see this symbol ("♥") frequently.)

A&D Connect Smart (iOS/ Android)

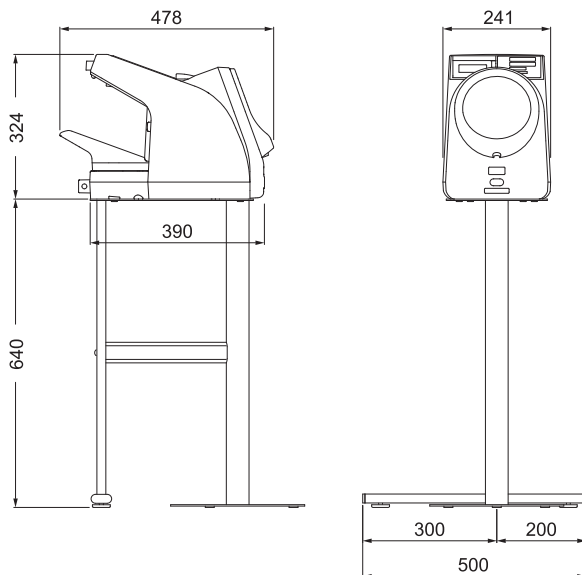
This is a Healthcare App, which can store your vital data to take control of your own health. It scan the QR code on the print as well.



Specifications

Model name	TM-2657P
Measurement method	Oscillometric
AC power supply unit	Switching 100 V~240 V AC 50 Hz~60 Hz
Protection against electric shock	Class I, Type B
Pressure display range	0 mmHg~299 mmHg
NIBP measurement range	SYS 40 mmHg~270 mmHg, DIA 20 mmHg~200 mmHg, Pulse 30 bpm~240 bpm
Measurement accuracy	Pressure: ± 3 mmHg Pulse: ± 5 %
NIBP clinical test	BS EN1060-4:2004, BHS:1993, ± 5 mmHg SD:8 mmHg
Cuff fastening method	Torque Controlled Belt drive Method (TCBM)
External dimensions	241(W) \times 324(H) \times 390(D) mm (9.5(W) \times 13.0(H) \times 15.4(D) inches)
Weight	Approx. 5.5 kg (12.1 lb)
Applicable arm circumference	7 inches (18.0 cm) to 13.8 inches (35.0 cm)
Cuff size	125 \times 300 mm (4.9 \times 11.8 inches)
Display type	3-digit display by LED
Systolic (SYS)	
Diastolic(DIA)	
Pulse rate(PUL)	
Counting function	Display of number of measurements to date: up to 999,999 times
Applied pressure	Automatic inflation by air pump
Pressure detection method	Capacitance type pressure transducer
Operating conditions	Temperature: $+10$ $^{\circ}$ C~ $+40$ $^{\circ}$ C humidity: 30 %RH~85 %RH, no condensing
Transport/Storage conditions	Temperature: -20 $^{\circ}$ C~ $+60$ $^{\circ}$ C humidity: 10 %RH~95 %RH, no condensing
Safety device (Electrical)	Quick release when START/STOP button is pressed Quick release when FAST STOP button is pressed
Clock function	Clock Display, Date & Time (2015 ~ 2050)

Dimensions (mm)



Options & Accessories



Stand
REF: TM-ST520



Adjustable height stool
REF: TM-STA001



Printer paper (5 rolls/set)
REF: AX-PP147-S



Arm cuff cover (5 pieces/set)
REF: AX-134005759-S



Carrying case
REF: TM2657-10



RS-232C cable
REF: AX-KO1371-200



External input/output unit RS 2ch
REF: TM-2657-01-EX



External input/output unit RS 1ch
REF: TM-2657-03-EX



External input/output unit RS+Bluetooth Low Energy
REF: TM-2657-04-EX



External input/output unit USB
REF: TM-2657-02-EX