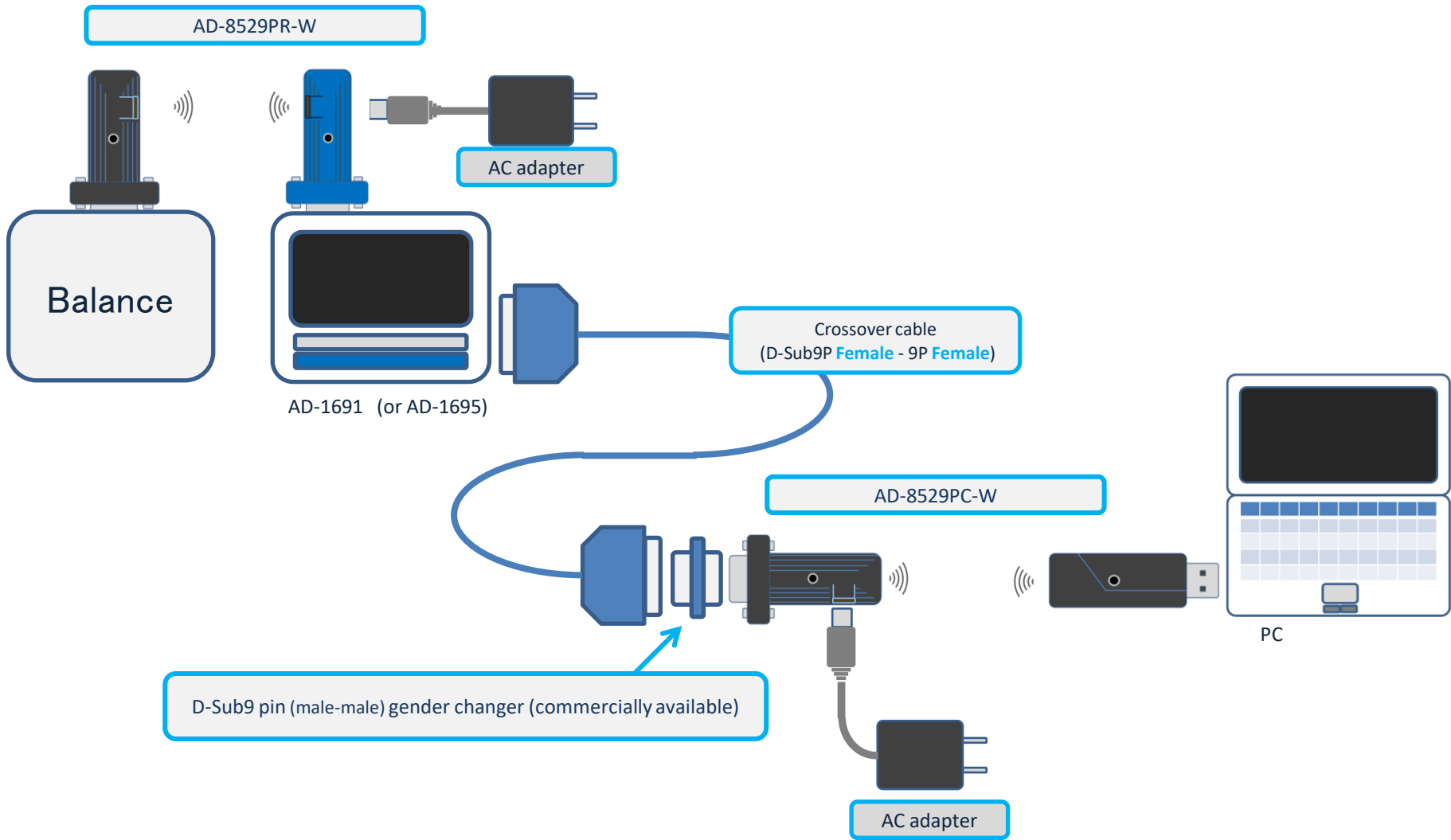
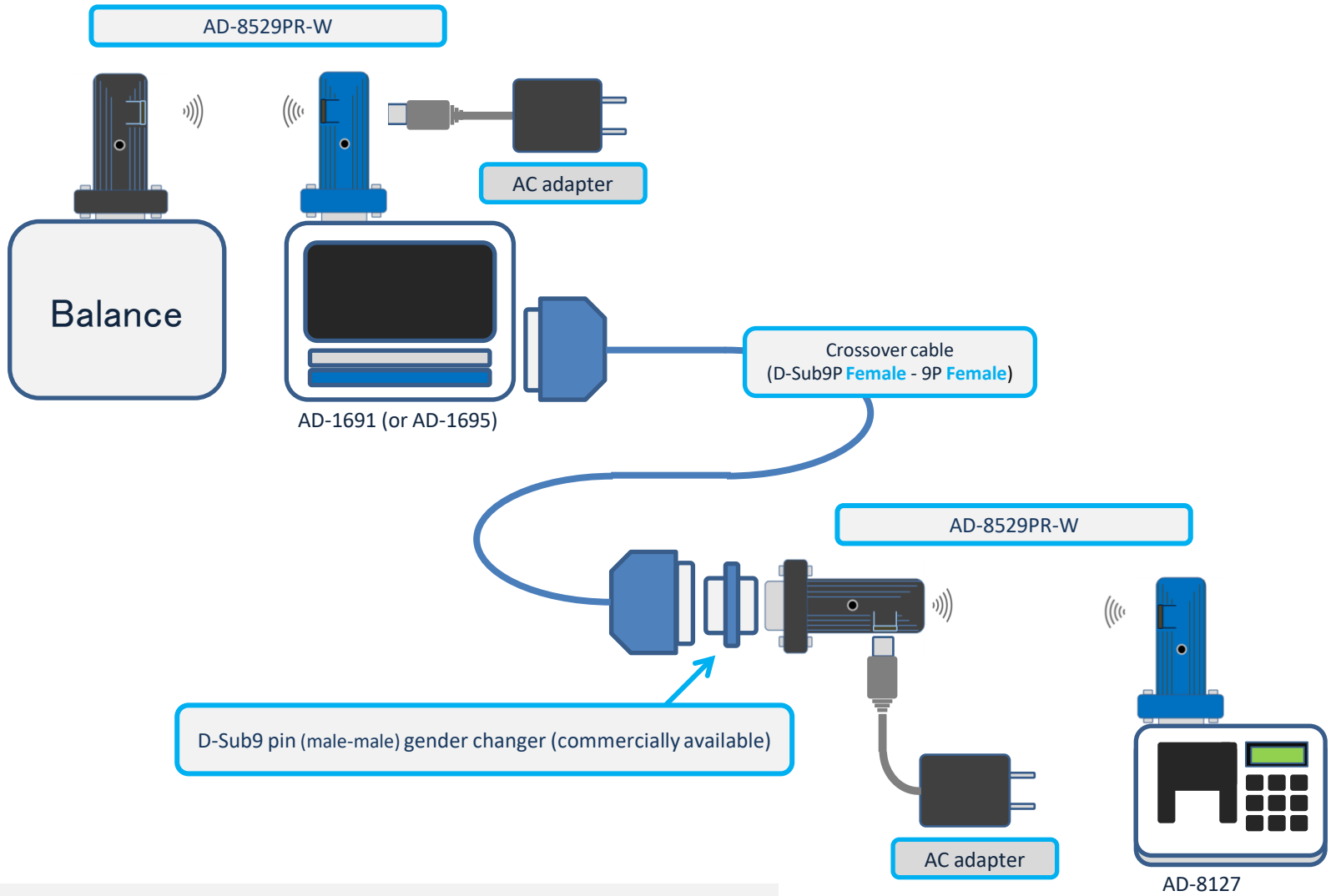


Connecting a balance and the AD-1691 weighing environment analyzer (and then to a PC) with the Bluetooth converters.



Custom cable can also be created (30 cm, for connection without using a gender changer).

Connecting a balance and the AD-1691 weighing environment analyzer (and then to a printer) with the Bluetooth converters.



Custom cable can also be created (30 cm, for connection without using a gender changer).