

High Precision Weighing Module for Production Lines

# AD4212L

Series

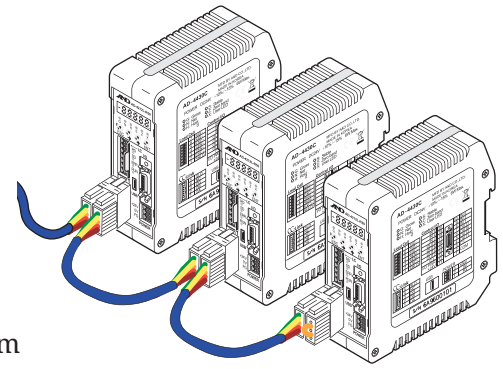
Modbus RTU



Powerful vibration cancelling filter  
Strong overload protection  
High-speed sampling 1000 times per second



- Compact size weighing unit with a width of 30mm
- Fast response time
- Din rail mounting type display unit
- Standard RS-485 interface for Modbus-RTU
- Modbus-RTU connection ( max. 31 units )
- Standard control I/O ( 6 input / 8 output points)
- Weighing sensor equipped with an overload protection mechanism for up, down, left, right, front and rear making it extremely durable.
- Digital filter that can remove vibration without using a lot of mechanical devices to prevent vibration

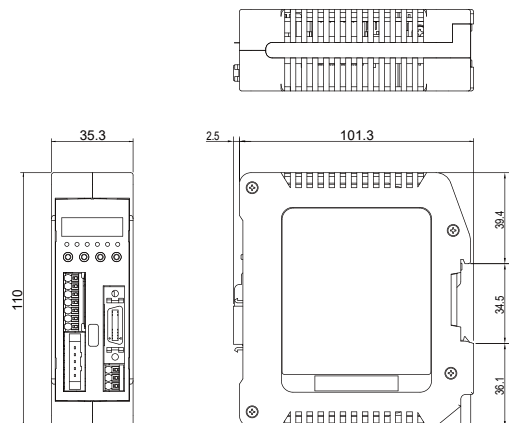
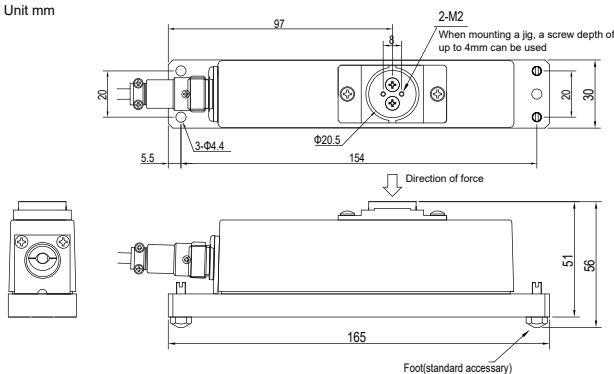


#### Specification

	AD4212L-R50	AD4212L-R100
Capacity	51g	110g
Minimum weighing value	0.001g	0.001g
Readability (Standard deviation)	0.001g	0.002g
Stabilization time (when set to optimum filter under a good environment)	0 - 5g 0.3 second 5 - 51g 1.0 second	0 - 5g 0.3 second 5 - 110g 1.3 second
Weighing pan	Ø20.5 mm	
Weighing unit external dimensions / weight	30 (W) x 165 (D) x 56 (H) mm / 400g	
Cable diameter / Length	Ø4.5 mm / 10m	
Ability of the stopper to withstand overload	1 kg	
Allowable moment	0.015N·m or less	0.03N·m or less
Display unit external dimensions / weight	35 (W) x 101 (D) x 110 (H) mm / 200g	
Power supply	DC 24V +10% -15%	
Sampling rate	1000 times / second	
Interface	RS-485 (Modbus-RTU) / USB 2.0	
Control I/O	6 input / 8 output points	
Operating environment	-10°C to 40°C 85%RH or less (No condensation)	
Standard accessories	RS-485 connector (2pcs), Branch connector (1pcs) Leveling feet (3pcs)	

\*RS-485 connector 3M 35505-6200-A00GF Branch connector 3M 35715-L010-A00AK

Unit mm



Appearance and/or specifications subject to change for improvement without notice.



## Discover Precision

### A&D Company, Ltd.

3-23-14 Higashi-Ikebukuro, Toshima-Ku, Tokyo, 170-0013, Japan Tel: +81 3-5391-6132 Fax: +81 3-5391-1566 <http://www.aandd.jp>

### A&D Engineering, Inc.

1756 Automation Parkway, San Jose, CA 95131, U.S.A. Tel: +1 408-263-5333 Fax: +1 408-263-0119

### A&D Australasia Pty Ltd.

32 Dew Street, Thebarton, South Australia 5031, Australia Tel: +61 8-8301-8100 Fax: +61 8-8352-7409

### A&D Instruments Ltd.

Unit 24/26 Blacklands Way, Abingdon Business Park, Abingdon, Oxfordshire, OX14 1DY, United Kingdom Tel: +44 1235-550420 Fax: +44 1235-550485

### <German Sales Office>

Hamburger Straße 30, D-22926, Ahrensburg, Germany Tel: +49 4102-459230 Fax: +49 4102-459231

### A&D Korea Ltd.

8F Manhattan Bldg., 33, Gukjegeumyung-ro 6-gil, Yeongdeungpo-gu, Seoul, 07331, Korea Tel: +82 2-780-4101 Fax: +82 2-782-4280

### A&D Rus Co., Ltd.

Vereyskaya Str. 17, 121357, Moscow, Russia Tel: +7 495-937-33-44 Fax: +7 495-937-55-66

### A&D Instruments India (P) Ltd.

509 Udyog Vihar Phase V Gurgaon-122 016, Haryana, India Tel: +91 (124) 471-5555 Fax: +91 (124) 471-5599