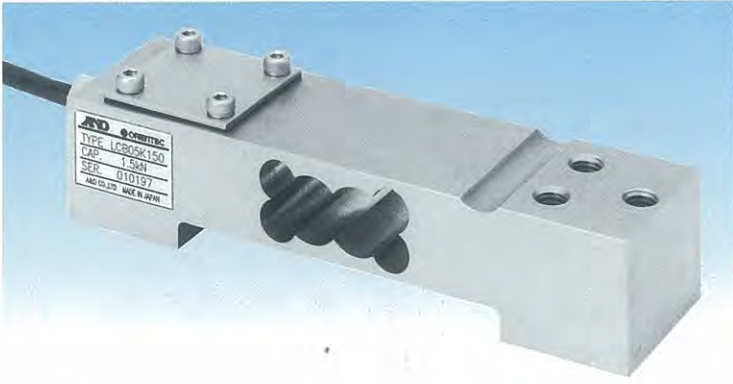


Stainless
Steel

Single Point Load Cells

LCB05 Series

- ★ **Stainless Steel Hermetical Sealed structure**
- ★ **Ideal for application under harsh environment**
- ★ **Maximum platform size is 400×400mm**
- ★ **Calibrated for 4 corner loads**
- ★ **Both Tension and Compression Usage**

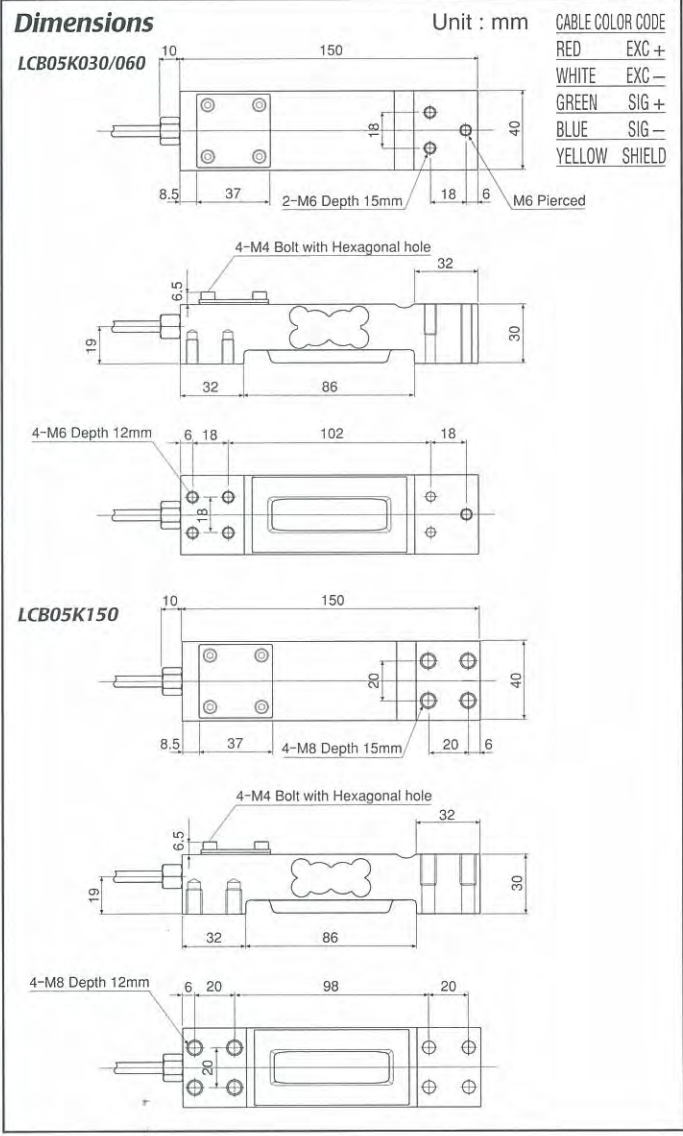


Models & Capacity

Model	Capacity
LCB05K030	300N(30.59kg)
LCB05K060	600N(61.18kg)
LCB05K150	1.5kN(153.0kg)

Specifications

- Rated Output ————— 2mV/V+15%—0%
- Maximum Safe Overload — 150% of R.C.
- Combined Error ————— 0.03% of R.O.
- Recommended Excitation Voltage — DC12V
- Maximum Excitation Voltage — DC15V
- Zero Balance ————— ±5% of R.O.
- Input Terminal Resistance — Approximately 390Ω
- Output Terminal Resistance — 350±5Ω
- Insulation Resistance — Greater than 500MΩ/DC50V
- Operating Temperature — —10°C to 40°C
- Temperature Effect — Zero : 0.04% of R.O./10°C
Span : 0.014% of Load/10°C Typ.
- Cable Diameter/Length — —∅5.6/3m
- Maximum Platform Size — 400mm×400mm
- Dustproof/Waterproof — IP67



Specifications are subject to change for improvement without notice.



...Clearly a Better Value

A&D Company, Limited
 3-23-14 Higashi-Ikebukuro, Toshima-ku, Tokyo 170-0013 JAPAN
 Telephone: [81] (3) 5391-6132 Fax: [81] (3) 5391-6148
www.aandd.co.jp

A&D ENGINEERING, INC.
 1555, McCandless Drive, Milpitas, CA. 95035 U.S.A.
 Telephone: [1] (408) 263-5333 Fax: [1] (408) 263-0119

A&D MERCURY PTY. LTD.
 32 Dew Street, Thebarton, South Australia 5031 AUSTRALIA
 Telephone: [61] (8) 8352-3033 Fax: [61] (8) 8352-7409

A&D INSTRUMENTS LTD.
 Unit 24/26 Blacklands Way Abingdon Business Park,
 Abingdon, Oxon OX14 1DY United Kingdom
 Telephone: [44] (1235) 550420 Fax: [44] (1235) 550485
<German Sales Office>
 Berner Straße 64, D-60437 Frankfurt/Main GERMANY
 Telephone: [49] (69) 507 1017 Fax: [49] (69) 507 2054

A&D KOREA Limited
 Manhattan Bldg. 8F, 36-2 Yoido-dong, Youngdeungpo-gu, Seoul, KOREA
 Telephone: [82] (2) 780-4101 Fax: [82] (2) 782-4280