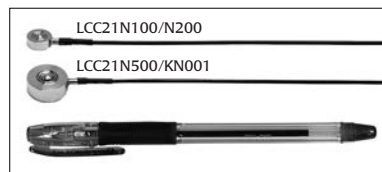
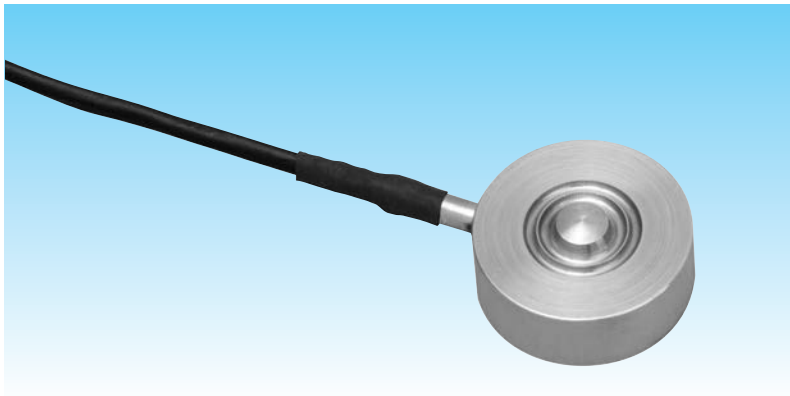


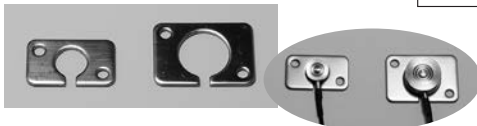
LCC21 Series

Stainless Steel Compact Compression Load Cell

Can be used for load distribution and press pressure measurement



Standard attachment holder



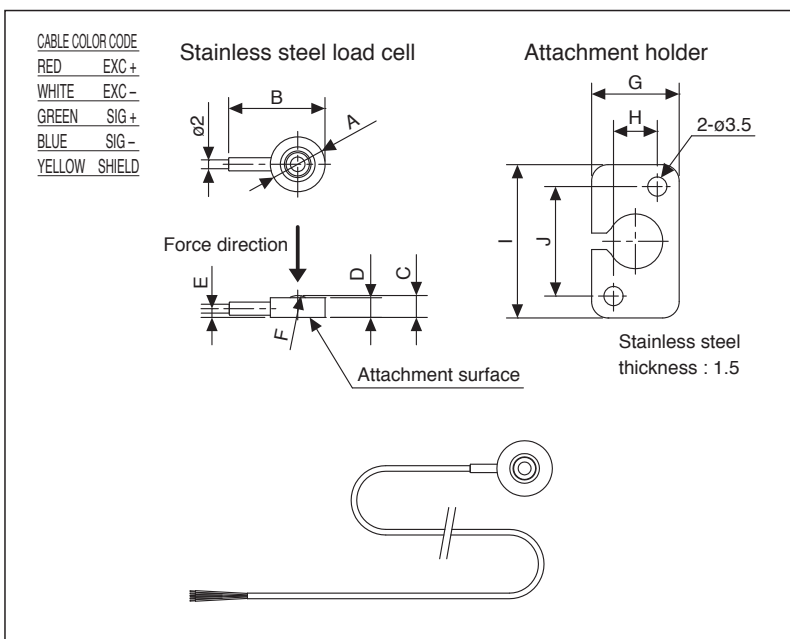
Model No.	Capacity
LCC21N100	10.20kg (100N)
LCC21N200	20.39kg (200N)
LCC21N500	50.99kg (500N)
LCC21KN001	102.0kg (1kN)

Specifications

- Rated output ————— 1mV/V or more
- Safe load limit ————— 150% of R.C.
- Combined error ————— 0.5% of R.O.
- Recommended excitation voltage — DC5V
- Maximum excitation voltage — DC5V
- Zero balance ————— ±100% of R.O.
- Input terminal resistance — 1kΩ±0.1kΩ
- Output terminal resistance — 1kΩ±0.01kΩ
- Insulation resistance — 500MΩ/DC50V
- Compensated temperature range — 0°C to 70°C
- Permissible temperature range — -10°C to 80°C
- Temperature effect on
 - Zero balance ————— 0.5% of R.O./10°C Typ.
 - Span ————— 0.5% of Load/10°C Typ.
- Cable diameter/length — ø2mm/2m
- Dustproof/waterproof — IP64
- Include standard attachment holder 1 piece

Resonance frequency

LCC21N100	LCC21N200	LCC21N500	LCC21KN001
45kHz	55kHz	30kHz	35kHz



Model No.	A	B	C	D	E	F	G	H	I	J	Net Weight (g)
LCC21N100/N200	ø10	18	4	3.6	1.6	SR3	16	8	28	20	Approx. 15
LCC21N500/KN001	ø16	24	7	6	3	SR6	22	14	32	24	Approx. 20

Unit = mm